

## Product Datasheet

# 3-port Full Gigabit Industrial PoE Switch

(GWS-IPS3032PF-SFP)



## Overview

The GWS-IPS3032PF-SFP is a full gigabit industrial PoE fiber switch. It has 2\*10/100/1000Base-T RJ45 ports and 1\*1000Base-X SFP fiber slot port. Port 1-2 can support IEEE802.3af/at PoE standard. Single port PoE power is 30W. As a PoE power supply device, it can automatically detect and recognize power-compliant devices that meet the standard and supply power through the network cable. It can supply power to POE terminal equipment such as wireless AP, webcam, VoIP, industrial sensor through the network cable, and meet the network environment that needs high-density PoE power supply. It is suitable for intelligent transportation, rail transit, power industry, mining, petroleum, Industrial scenes such as shipping, metallurgy, and green energy construction form a cost-effective, stable and reliable communication network.

Unmanaged model, plug and play, no configuration, easy to use.

## Feature

### ■ Gigabit Ethernet access, SFP fiber port uplink

- ◇ Support non-blocking wire-speed forwarding.
- ◇ Support full-duplex based on IEEE802.3x and half-duplex based on Backpressure.
- ◇ Support Gigabit Ethernet port and Gigabit SFP port combination, which enables users to flexibly build networking to meet the needs of various scenarios.

### ■ Intelligent PoE power supply

- ◇ IEEE802.3af/at PoE standard, without damaging non-PoE devices.
- ◇ 2\*10/100/1000Base-T RJ45 ports, meeting the needs of security monitoring, teleconferencing system, wireless coverage, and other scenarios.
- ◇ Priority system for PoE port, it will supply power to the high priority level port first when the power budget is insufficient and avoid overwork of the device.

### ■ Stable and reliable

- ◇ CCC,CE, FCC, RoHS.
- ◇ Low power consumption, No fan, aluminum shell.
- ◇ The user-friendly panel, it can show the device status through the LED indicator of PWR, Link, PoE.

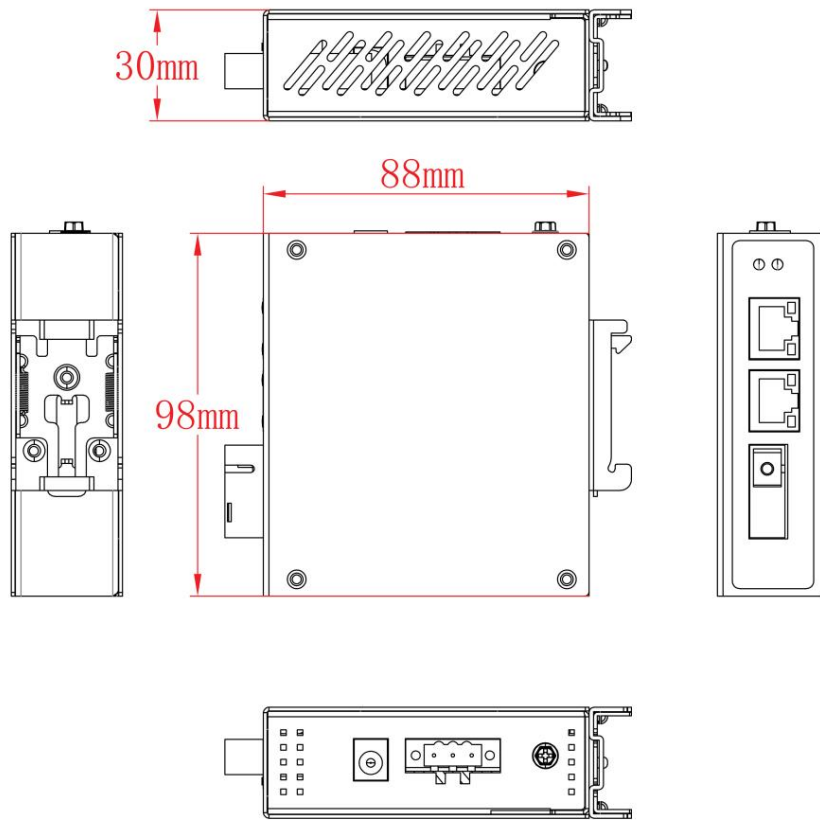
## Technical Specification

Model	GWS-IPS3032PF-SFP
<b>Interface Characteristics</b>	
Fixed Port	2*10/100/1000Base-T PoE ports (Data/Power) 1*1000Base-X uplink SFP fiber slot port(Data) Dual power input,optional 3P industrial terminal or DC5521 Jack
Ethernet Port	Port 1-2 support 10/100/1000Base-TX auto-sensing, Full/half duplex MDI/MDI-X

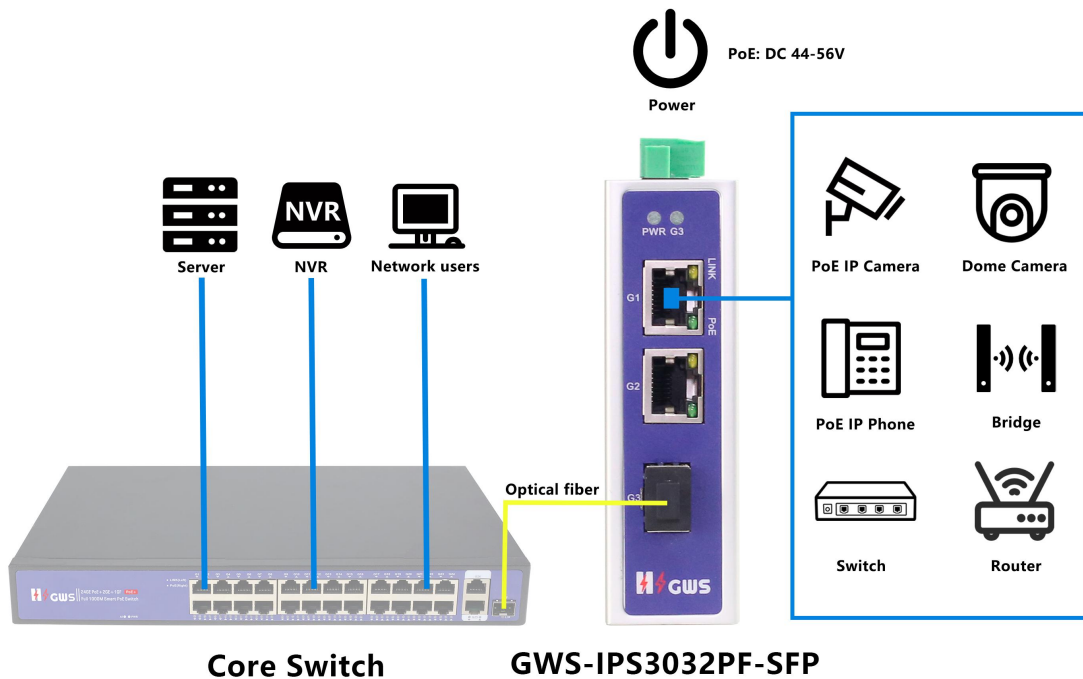
	self-adaption
Twisted Pair Transmission	10BASE-T: Cat3,4,5 UTP( $\leq 100$ meter) 100BASE-TX: Cat5 or later UTP( $\leq 100$ meter) 1000BASE-T: Cat5e or later UTP( $\leq 100$ meter)
Fiber Port	Gigabit SFP optical fiber port, default not include optical modules (optional single-mode / multi-mode, single fiber / dual fiber optical module. LC)
Optical Cable/ Distance	Multi-mode: 850nm/ 0 ~ 500M, Single-mode: 1310nm/ 0 ~ 40KM, 1550nm/ 0 ~ 120KM.
<b>Chip Parameter</b>	
Network Protocol	IEEE802.3 10BASE-T, IEEE802.3i 10Base-T, IEEE802.3u 100Base-TX IEEE802.3ab 1000Base-T, IEEE802.3z 1000Base-X, IEEE802.3x
Forwarding Mode	Store and Forward(Full Wire Speed)
Switching Capacity	12Gbps (no-blocking)
Forwarding Rate@64byte	8.93Mpps
MAC	2K
Buffer Memory	2Mb
Jumbo Frame	9216B
LED Indicator	Power: PWR (Green), Network: Link G1-G2(Yellow),Fiber port:G3(Green), PoE: PoEG1-G2 (Green)
<b>PoE &amp; Power Supply</b>	
PoE Port	Port 1 to 2 IEEE802.3af/at @ POE
Power Supply Pin	1/2 (+) 3/6 (-)
Max Power Per Port	30W, IEEE802.3af/at
Power Consumption	Standby<3W, Full load af/at $\leq 60$ W
Power Supply	Self-purchased, optional 48V/36W or 48V/60W industrial power supply or desktop power supply
Working Voltage	DC44-56V, 3P industrial Phoenix terminal+DC5521 Jack, support anti-reverse

	protection,short circuit protection,overcurrent protection.
<b>Physical Parameter</b>	
Operation TEMP / Humidity	-40~+75°C, 5%~90% RH Non condensing
Storage TEMP / Humidity	-40~+85°C, 5%~95% RH Non condensing
Dimension (L*W*H)	98*88*30mm
Net /Gross Weight	<0.2kg / <0.3kg
Installation	Desktop, DIN rail
<b>Certification &amp; Warranty</b>	
Lightning Protection	<p>Lightning protection: 6KV 8/20us; Protection level: IP30</p> <p>IEC61000-4-2(ESD):±8kV contact discharge,±15kV air discharge</p> <p>IEC61000-4-3(RS):10V/m(80~1000MHz)</p> <p>IEC61000-4-4(EFT): power cable:±4kV; data cable:±2kV</p> <p>IEC61000-4-5(Surge):power cable:CM±4kV/DM±2kV; data cable:±4kV</p> <p>IEC61000-4-6(radio frequency transmission):10V(150kHz~80MHz)</p> <p>IEC61000-4-8(power frequency magnetic field):100A/m;1000A/m ,1s to 3s</p> <p>IEC61000-4-9(pulsed magnet field):1000A/m</p> <p>IEC61000-4-10(damped oscillation):30A/m 1MHz</p> <p>IEC61000-4-12/18(Shockwave):CM 2.5kV,DM 1kV</p> <p>IEC61000-4-16(common-mode transmission):30V; 300V,1s</p> <p>FCC Part 15/CISPR22(EN55022):Class B</p> <p>IEC61000-6-2(Common Industrial Standard)</p>
Mechanical Properties	<p>IEC60068-2-6 (anti vibration)</p> <p>IEC60068-2-27 (anti shock)</p> <p>IEC60068-2-32 (free fall)</p>
Certification	CCC, CE mark, commercial, CE/LVD EN62368-1, FCC Part 15 Class B, RoHS
Warranty	5 years, lifelong maintenance.

## Dimension



## Application



## Ordering Information

Model	Description	Recommended Power Supply
GWS-IPS3032PF-SFP	Unmanaged industrial PoE fiber switch with 2*10/100/1000M RJ45 ports and 1*1000M uplink SFP slot port. Port 1-2 can support IEEE802.3af/at PoE standard. Support DC dual power supply input and DIN rail mounting.	36W/60W

**Note:** The SFP optical module and power supply are not included, and need to be purchased separately.

## Packing List

	Content	Qty	Unit
Packing List	3-port full gigabit industrial PoE fiber switch	1	SET
	User Guide	1	PC
	Warranty Card	1	PC

## Optical Module Information

Product	Model	Description	Unit
1.25G Optical Module	2630	SFP optical module, 1.25G, multi-mode dual fiber 850nm, transmission distance: 550m, LC interface, support DDM function, support hot plug and pull.	PC
	2632	SFP optical module, 1.25G, single-mode dual fiber 1310nm, transmission distance: 20km, LC interface, support DDM function, support hot plug and pull.	PC

	2612-T	SFP optical module, 1.25G, single-mode single fiber TX1310nm/ RX1550nm, transmission distance: 20km, LC interface, support DDM function, support hot plug and pull.	PC
	2613-R	SFP optical module, 1.25G, single-mode single fiber TX1550nm/ RX1310nm, transmission distance: 20km, LC interface, support DDM function, support hot plug and pull.	PC
	2612-T-G	Industrial SFP optical module, 1.25G, single-mode single fiber TX1310nm/ RX1550nm, transmission distance: 20km, LC interface, support DDM function, support hot plug and pull.	PC
	2613-R-G	Industrial SFP optical module, 1.25G, single-mode single fiber TX1550nm/ RX1310nm, transmission distance: 20km, LC interface, support DDM function, support hot plug and pull.	PC
	2612-T-SC	SFP optical module, 1.25G, single-mode single fiber TX1310nm/ RX1550nm, transmission distance: 20km, SC interface, support DDM function, support hot plug and pull.	PC
	2613-R-SC	SFP optical module, 1.25G, single-mode single fiber TX1550nm/ RX1310nm, transmission distance: 20km, SC interface, support DDM function, support hot plug and pull.	PC
Power Module	2633	1.25G SFP optical module transfers to 10/100/1000M RJ45 port.	PC

## Power Supply

Product	Model	Description	Unit
36W Desktop Power Adaptor	AP36-52	Desktop 36W single set of output power adapter Input Voltage: AC 100V~240V 50-60Hz, 0.56A Output Voltage: DC 52V 0.7A Operation Temperature: -20°C to +65°C	PC

65W Desktop Power Adaptor	AP65-52	Desktop 65W single set of output power adapter Input Voltage: AC 100V~240V 50-60Hz, 1.1A Output Voltage: DC 52V 1.25A Operation Temperature: -20°C to +65°C	PC
36W DIN Rail Industrial Power Supply	DP36-48	Din Rail 36W single set of output power supply Input Voltage: AC 100V~240V 50-60Hz, 0.56A Output Voltage: DC 48V 0.75A Operation Temperature: -40°C to +70°C	PC
60W DIN Rail Industrial Power Supply	DP60-48	Din Rail 60W single set of output power supply Input Voltage: AC 100V~240V 50-60Hz, 1.0A Output Voltage: DC 48V 1.25A Operation Temperature: -40°C to +70°C	PC

## Contact Us



Tel: 0086-752-3397806

WeChat: HZGWS--PoE

Email: [h zgws@h zgws.com](mailto:h zgws@h zgws.com)

Skype: [h zgws@h zgws.com](https://www.skype.com/people/hzgws@h zgws.com)

Website: [www.hzgws.com](http://www.hzgws.com)



Address: Building 3, Phase II, Xinghe Artificial Intelligence Industrial Park, No.333 Zhongkai 6th Road, Chenjiang Street, Zhongkai High-tech Zone, Huizhou