

Product Datasheet

10-port Full Gigabit PoE Switch

(GWS-3108PSD)



Overview

The GWS-3108PSD is a full gigabit unmanaged PoE switch. It has 8*10/100/1000Base-TX RJ45 ports and 2*10/100/1000Base-TX RJ45 uplink ports. Port 1-8 can support IEEE802.3af/at PoE+ standard. Single-port PoE power up to 30W. The PoE port supports the watchdog function. When the port communication fails, the POE of the corresponding port will automatically restart, and the network communication will be restored by itself without affecting the normal operation of other ports, reducing manual intervention and maintenance costs. As a PoE power supply device, it can automatically detect and recognize the power-receiving equipment that meets the standard and supply power through the network cable. It can supply power to POE terminal equipment such as wireless AP, IP camera, VoIP phone, and building visual access control, intercom through a network cable, to meet the network environment that needs high-density PoE power supply, suitable for hotels, campuses, parks, supermarkets, scenic spots, factory quarters and SMB small and medium-sized enterprises form a cost-effective network. Unmanaged mode, plug, and play, no configuration, easy to use.

Feature

■ Full gigabit access, high speed forwarding

- ◇ Support non-blocking wire-speed forwarding for smoother transmission.
- ◇ Support IEEE 802.3x full-duplex flow control and Backpressure half-duplex flow control.
- ◇ Provides 10*10/100/1000Base-T RJ45 ports and Dual RJ45 port uplink allow users to flexibly network to meet the networking requirements of various scenarios.

■ Intelligent PoE power supply

- ◇ 8*10/100/1000Base-TX RJ45 ports support PoE power to meet the needs of PoE power in various scenarios in the security field.
- ◇ Comply with PoE+ power standard, automatically identify PoE devices for power without damaging non-PoE devices, and the single port max PoE output power is 30W.
- ◇ The PoE port supports the watchdog function, which automatically detects the data communication status in real-time. When the port communication fails, the corresponding port PoE will automatically restart and repair the network communication by itself.

■ Stable and reliable, easy to use

- ◇ CCC,CE, FCC, RoHS.
- ◇ Plug and play, no configuration, simple and convenient.
- ◇ Low power consumption, galvanized steel casing, no fan.
- ◇ The user-friendly panel can show the device status through the LED indicator of PWR, Link, PoE.
- ◇ Self-developed power supply, high redundancy design, providing a long term and stable PoE power output.

■ Innovative function

- ◇ **PoE watchdog:** The watchdog function is enabled by default for ports 1 to 8, which can automatically detect the data communication status in real-time. When the port communication fails, the corresponding port POE will automatically restart, and the network

communication can be repaired by itself, eliminating manual maintenance costs.

- ◇ **Long-distance and VLAN mode (E):** switch to "ON" position (default "OFF"), the port 1 to 8 rate is 10M, and the physical VLAN isolation function is turned on at the same time to suppress broadcast storms and improve network performance. Using the existing twisted pair can break through the 100 meters transmission limit, and the transmission distance can be up to 250 meters. At the same time, it can solve the problem of poor transmission caused by aging lines.

Technical Specification

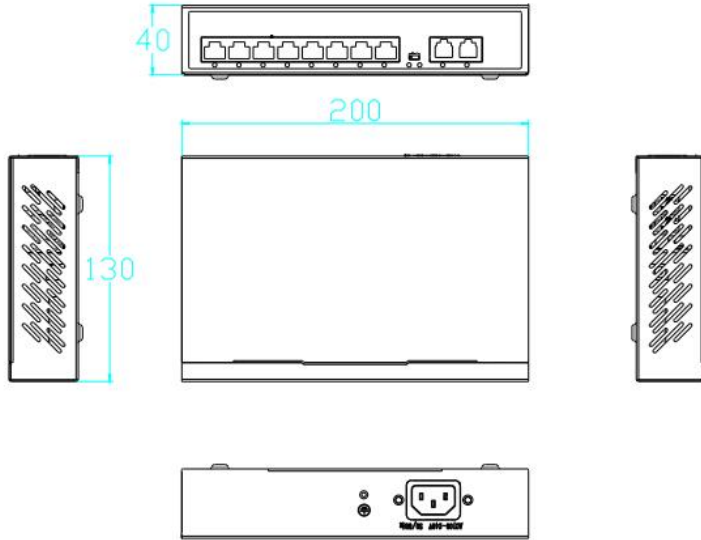
| Model | GWS-3064PSD | GWS-3108PSD |
|----------------------------------|--|--|
| Interface Characteristics | | |
| Fixed Port | 4*10/100/1000Base-T PoE ports (Data/Power) 2*10/100/1000Base-T uplink RJ45 ports (Data) | 8*10/100/1000Base-T PoE ports (Data/Power) 2*10/100/1000Base-T uplink RJ45 ports (Data) |
| Ethernet Port | Port 1-6/1-10 can support 10/100/1000Base-T automatic detection, full/half-duplex MDI/MDI-X auto-sensing | |
| Twisted Pair Transmission | 10BASE-T: Cat3,4,5 UTP(≤250 meter) 100BASE-TX: Cat5 or later UTP(≤100 meter) 1000BASE-T: Cat5e or later UTP(≤100 meter) | |
| Functional Switch | E: long-distance and VLAN isolation function (Default: OFF, Use:ON), After opening, the transmission rate of ports 1-4/1-8 is 10M to achieve 250 meters transmission. | |
| Chip Parameter | | |
| Network Protocol | IEEE802.3 10BASE-T, IEEE802.3i 10Base-T IEEE802.3u 100Base-TX, IEEE802.3ab 1000Base-T, IEEE802.3x | |
| Forwarding Mode | Store and Forward(Full Wire Speed) | |
| Switching Capacity | 12Gbps (Non-blocking) | 20Gbps (Non-blocking) |

| | | |
|-------------------------------------|--|--|
| Forwarding Rate@64byte | 8.93Mpps | 14.88Mpps |
| MAC | 2K | 2K |
| Buffer Memory | 2M | |
| Jumbo Frame | 9.2K | |
| LED Indicator | Power: PWR (Green), Network: Link (Green), PoE: PoE (Red), Functional switch: EXTEND (Green) | |
| PoE & Power Supply | | |
| PoE Port | Port 1 to 4 @ IEEE802.3af/at | Port 1 to 8 @ IEEE802.3af/at |
| Power Supply Pin | 1/2(+) 3/6(-) | |
| Max Power Per Port | 30W, IEEE802.3af/at | |
| Total PWR / Input Voltage | 65W/ (AC100-240V) | 120W/ (AC100-240V) |
| Power Consumption | Standby <3W, Full load <65W | Standby <5W, Full load <120W |
| Power Supply | Built-in power supply, AC100~240V 50-60Hz 1.0A | Built-in power supply, AC100~240V 50-60Hz 2.0A |
| Physical Parameter | | |
| Operation TEMP / Humidity | -20~+55°C, 5%~90% RH Non condensing | |
| Storage TEMP / Humidity | -40~+80°C, 5%~95% RH Non condensing | |
| Dimension (L*W*H) | 200*130*40mm | 200*130*40mm |
| Net /Gross Weight | <0.6kg / <0.9kg | <0.65kg / <0.95kg |
| Installation | Desktop, Wall-mounted | |
| Certification & Warranty | | |
| Lightning Protection | Lightning protection: 4KV 8/20us, Protection level: IP30 | |
| Certification | CCC, CE mark, commercial, CE/LVD EN62368-1, FCC Part 15 Class B, RoHS | |

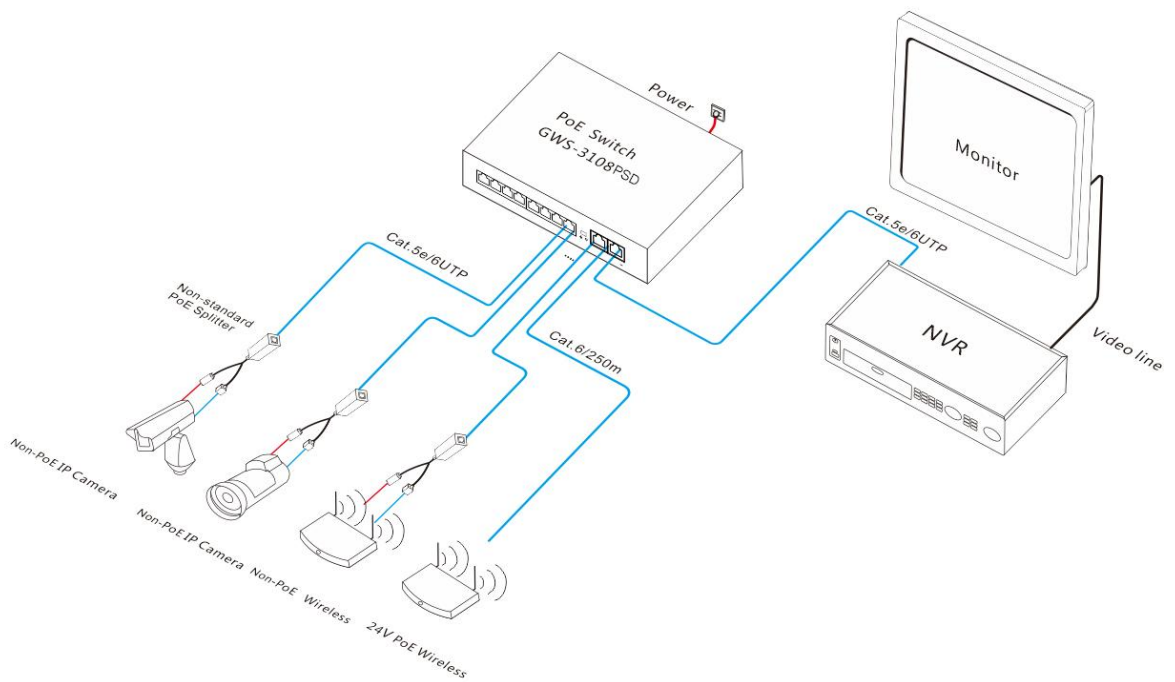
Warranty

1 year, lifelong maintenance.

Dimension



Application



Ordering Information

| Model | Description | Power Supply |
|-----------------|--|--------------|
| GWS-3064PS D | Unmanaged PoE switch has 4*10/100/1000M RJ45 ports and 2*10/100/1000M RJ45 uplink ports. Ports 1-4 support PoE+ standard, switch the functional switch, ports 1-4 rate is 10M/250 meters transmission and built-in power supply. | 52V/65W |
| GWS-3108PS D | Unmanaged PoE switch has 8*10/100/1000M RJ45 ports and 2*10/100/1000M RJ45 uplink ports. Ports 1-4 support PoE+ standard, switch the functional switch, ports 1-4 rate is 10M/250 meters transmission and built-in power supply. | 52V/120W |

Note: Default does not include mounting ears. If need to configure it, need to purchase it separately.

Packing List

| | CONTENT | QTY | UNIT |
|--------------|---------------------------------|-----|------|
| Packing List | 10-port full gigabit PoE switch | 1 | SET |
| | AC Power Line | 1 | PC |
| | User Guide | 1 | PC |
| | Warranty Card | 1 | PC |



Contact Us



Tel: 0086-752-3397806

WeChat: HZGWS--PoE

Email: hzgws@hzgws.com

Skype: [hzgws@hzgws.com](https://www.skype.com/people/hzgws@hzgws.com)

Website: www.hzgws.com

Address: Building 3, Phase II, Xinghe Artificial Intelligence Industrial Park, No.333 Zhongkai 6th Road, Chenjiang Street, Zhongkai High-tech Zone, Huizhou

