

Product Datasheet

3-Port Gigabit PoE Extender

(PSE-PD3321)



OVERVIEW

PSE-PD3321 is an unmanaged PoE extender, it has 2*10/100/1000M PoE ports and 1*10/100/1000M uplink PD RJ45 port. Port 1-2 can support IEEE802.3af/at PoE standard, single-port PoE power up to 25W. The working power of the PoE extender is taken from the PoE switch and no additional power supply. It is installed at the end of the 100 meters network cable to extend the network and POE power supply by 100 meters at full speed. As a PoE power supply device, it can automatically detect and recognize the power receiving equipment that meets the standard and supply power through the network cable. It can supply power to POE terminal equipment such as wireless AP, webcam, VoIP, video access control, etc. through a network cable, to meet the network environment that requires high-density PoE power supply, and to reduce the bandwidth to solve the twisted pair POE transmission within 200 meters. It is suitable for hotels, campuses, factory dormitories, and small and medium-sized enterprises to form a cost-effective network.

Unmanaged mode, plug and play, no configuration, easy to use.

FEATURE

■ Gigabit access, uplink PD RJ45 port

- ◇ 3*10/100/1000Base-T RJ45 ports to meeting the power supply and transmission requirements of the scene within 200 meters.
- ◇ Support non-blocking wire-speed forwarding.
- ◇ Support full-duplex based on IEEE802.3x and half-duplex based on Backpressure.

■ Intelligent PoE power supply

- ◇ 2* 10/100/1000Base-T RJ45 ports can support PoE power supply to meeting the needs of PoE power supply in various security scenarios.
- ◇ IEEE 802.3af/at PoE standard, without damaging non-PoE devices.

■ Innovative function

- ◇ PoE extender can extend the network signal transmission distance and POE power supply distance
- ◇ When the PoE extender is working, it does not need an external power supply to easily solve the bandwidth and power network cable transmission within 200 meters

■ Stable and reliable

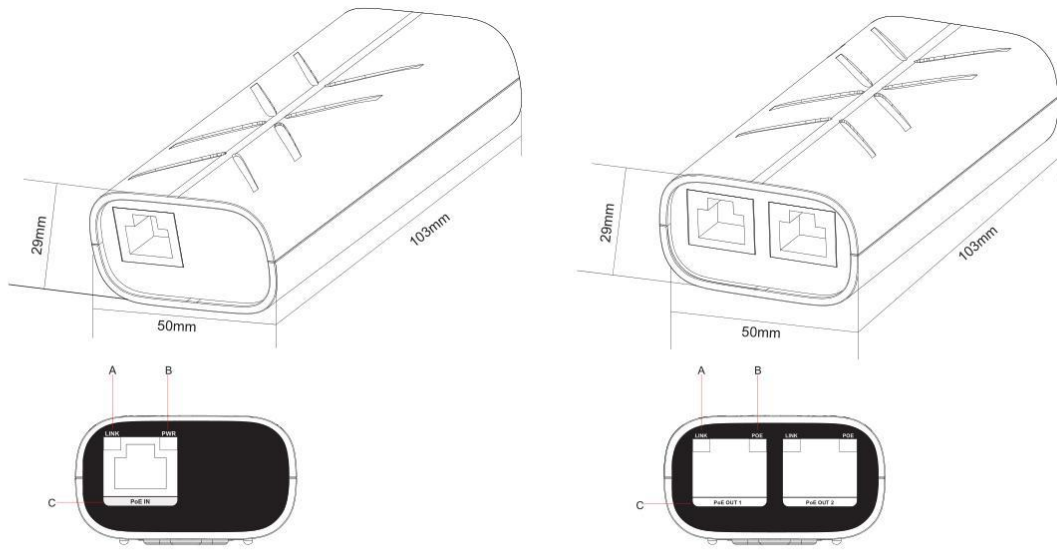
- ◇ CCC,CE, FCC, RoHS.
- ◇ Plug and play, no configuration, easy to use and maintain.
- ◇ The user-friendly panel, it can show the device status through the LED indicator of PWR, Link PoE.
- ◇ Low power consumption, fan-less silent design, advanced ABS and PC flame-retardant plastic shell is exquisite and beautiful.

TECHNICAL SPECIFICATION

Model	PSE-PD3321
Interface Characteristics	
Fixed Port	2*10/100/1000Base-T PoE ports (Data/Power) 1*10/100/1000Base-T uplink PD RJ45 port (Data/Power)
Ethernet Port	Port 1-3 support 10/100/1000Base-T auto-sensing, Full/half duplex MDI/MDI-X self-adaption
Twisted Pair Transmission	10BASE-T: Cat3,4,5 UTP(≤100 meter) 100BASE-TX: Cat5 or later UTP(≤100 meter) 1000BASE-T: Cat5e or later UTP(≤100 meter)
Chip Parameter	
Network Protocol	IEEE802.3 10BASE-T, IEEE802.3i 10Base-T IEEE802.3u 100Base-TX, IEEE802.3ab 1000Base-T IEEE802.3x
Forwarding Mode	Store and Forward(Full Wire Speed)
Switching Capacity	12Gbps(non-blocking)
Forwarding Rate@64byte	4.46Mpps
MAC	2K
Buffer Memory	2M
Jumbo Frame	9.2K
LED Indicator	Power: PWR (green), Data: Link(yellow), POE: PoE (green)
PoE & Power Supply	
PoE Port	Port 1-2 support IEEE802.3af/at @ POE
Power Supply Pin	Default 1/2 (+), 3/6 (-), Optional 4/5(+), 7/8(-)
Max Power Per Port	25W, IEEE802.3af/at (Limited by max input power of at)
Total PWR / Input	25W (PoE)

Voltage	
Power Consumption	Standby<2W,Full load<30W
Input Voltage and Interface	PoE (IEEE802.3af/at), RJ45 port connection
Power Supply	N/A
Physical Parameter	
Operation TEMP / Humidity	-20~+55°C, 5%~90% RH Non condensing
Storage TEMP / Humidity	-40~+80°C, 5%~95% RH Non condensing
Dimension (L*W*H)	103*50*29mm
Net /Gross Weight	<0.07kg /<0.08kg
Installation	Desktop, wall mounted
Certification & Warranty	
Lightning protection / protection level	Port lightning protection: 4KV 8/20us, Protection level: IP30
Certification	CCC,CE mark, commercial; CE/LVD EN60950;FCC Part 15 Class B; RoHS
Warranty	3 years, lifelong maintenance.

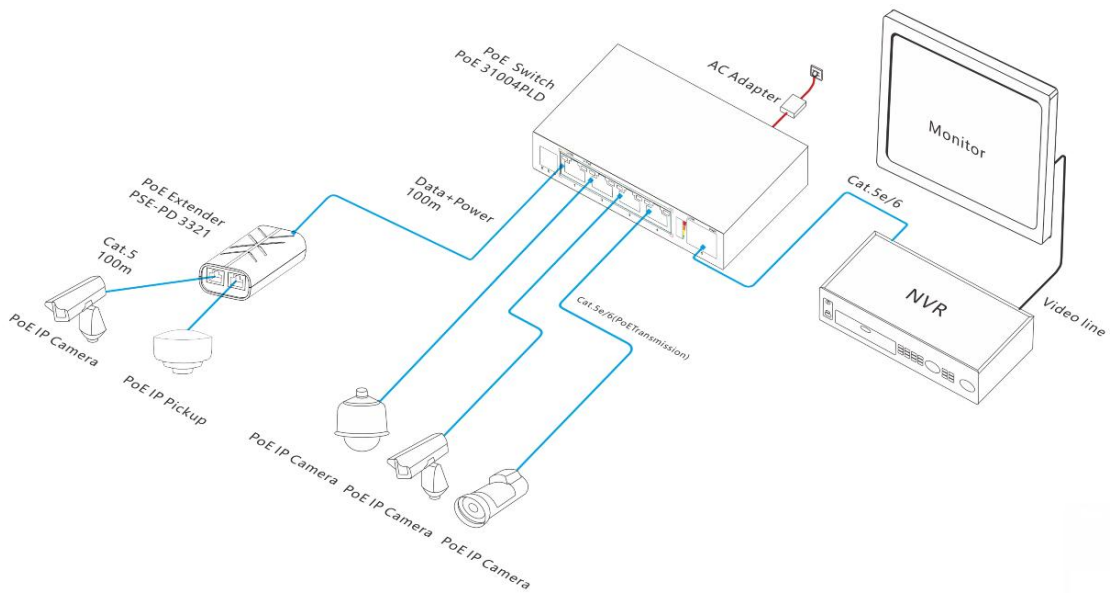
DIMENSION



A. Network working indicator B. Power Indicator C. PoE input port

A. Network working indicator B. PoE working indicator C. PoE output port

APPLICATION



ORDERING INFORMATION

Model	Description
PSE-PD3321	Unmanaged PoE extender with 2*10/100/1000M PoE ports and 1*10/100/1000M uplink PD RJ45 port. Port 1- 2 can support IEEE802.3af/at PoE standard. Extend data communication and power supply by 100 meters. (Plastic shell)
PSE-PD3121	Unmanaged PoE extender with 2*10/100M PoE ports and 1*10/100M uplink PD RJ45 port. Port 1- 2 can support IEEE802.3af/at PoE standard. Extend data communication and power supply by 100 meters. (Plastic shell)

PACKING LIST

	CONTENT	QTY	UNIT
PACKING LIST	3-port Gigabit PoE extender	1	SET
	User Guide	1	PC
	Warranty Card	1	PC