

Product Datasheet

2-port Gigabit Single-mode Dual Fiber Media Converter

(1110-SCX-K)



OVERVIEW

The 1110-SCX-K is a gigabit single-mode dual fiber media converter. It has 1*10/100/1000Base-T port and 1*1000M uplink SC fiber port. User can select different optical modules, such as multi-mode dual fiber, single-mode dual fiber, and single-mode single fiber. The media converter adopts the enterprise-class Taiwan Realtek carrier-grade chip solution, which has stable performance, good quality and high cost performance. It is suitable for optical fiber access application scenarios such as security monitoring, wireless coverage, intelligent transportation, and safe cities to form a cost-effective and stable communication network.

Unmanaged model, plug and play, no configuration, easy to use.

FEATURE

■ Gigabit photoelectric Ethernet conversion transmission

- ◇ Support non-blocking wire-speed forwarding.
- ◇ Support full-duplex based on IEEE802.3x and half-duplex based on Backpressure.
- ◇ Support gigabit RJ45 port and gigabit SC fiber port combination, which enables users to flexibly build networking to meet the needs of various scenarios.

■ Easy to use and simple to maintain

- ◇ Support full-duplex/half-duplex working mode with auto-negotiation function.
- ◇ Automatic identification of twisted pair MDI/MDI-X cross lines and parallel lines.
- ◇ LED working status indication for network diagnosis and fault checking, reducing maintenance workload.
- ◇ Plug and play, no configuration required, centralized power supply and centralized connection management through 2U-14 slot rack.
- ◇ Compatible with IEEE802.3ab 1000Base-T, IEEE802.3z 1000Base-LX/SX/CX network protocol, 10/100/1000M R45 port rate auto-negotiation.

■ Innovative Features

- ◇ **One-button switching between store-and-forward mode and pass-through-forward mode:** the lower-end rate of pass-through-forward mode is forced to Gigabit to realize super-long-screen data display on the LED display).
- ◇ **LFP link fault alarm function:** In the event of a fault, the fault status of the opposite end can be displayed through the indicator light, which can quickly determine the location of the fault point and reduce maintenance costs.

■ Stable and reliable

- ◇ CCC, CE, FCC, and RoHS.
- ◇ Low power consumption, no fan, galvanized steel casing.
- ◇ Comply with telecommunication network access requirements, and have the

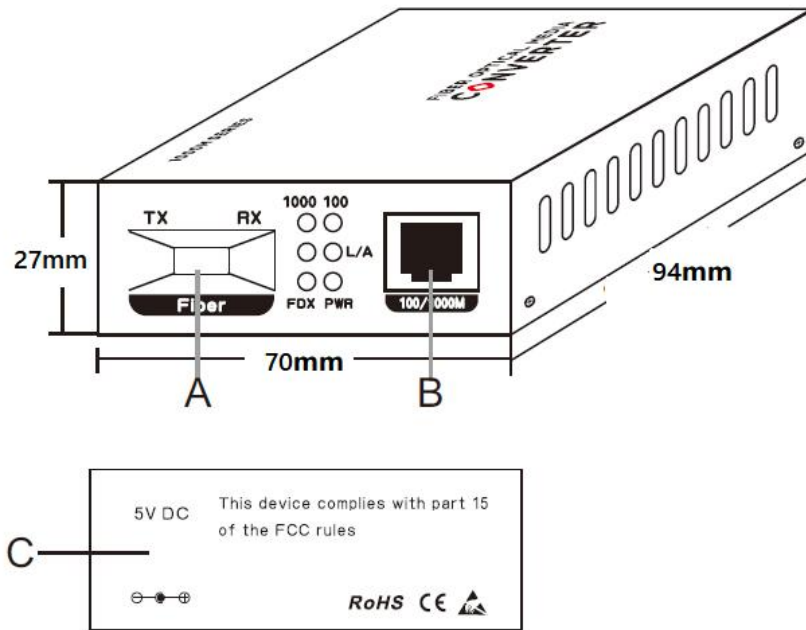
telecommunications equipment network access license of the MIIT.

TECHNICAL SPECIFICATION

Model	1110-MCX-K	1110-SCX-K	1110S-SCX-K-A/B
Interface Characteristics			
Interface	1* 10/100/1000Base-T RJ45 port (Data) 1*1000M uplink SC fiber port (Data)		
One-button Function Switch	Dis LFP/En LFP: (Close LFP/open LFP) Pass-through-forward/Store-and-forward		
Ethernet Port	10/100/1000Base-T auto-sensing, full/half duplex MDI/MDI-X self-adaption		
Twisted Pair Transmission	10BASE-T: Cat3,4,5 UTP(≤100 meters) 100BASE-TX: Cat5 or later UTP(≤100 meters) 1000BASE-T: Cat5e or later UTP(≤100 meters)		
Optical Fiber Port	1.25Gbps, Multi-mode dual fiber SC port	1.25Gbps, Single-mode dual fiber SC port	1.25Gbps, Single-mode single fiber SC port
Optical Cable/ Distance	Multi-mode: 850nm / 0-550m	Single-mode: 1310nm / 0 -40km, 1550nm/ 0-120km.	
Chip Parameter			
Network Protocol	IEEE802.3 10BASE-T, IEEE802.3i 10Base-T IEEE802.3u 100Base-TX, IEEE802.3ab 1000Base-T IEEE802.3z 1000Base-X, IEEE802.3z 1000Base-LX/SX/CX, IEEE802.3x		
Forwarding Mode	Default store-and-forward, optional pass-through-forward		
Switching Capacity	2.0Gbps (Non-blocking)		
Forwarding Rate@64byte	3.0Mpps		
MAC	2K		

Buffer Memory	1M
LED Indicator	Power: PWR (Green) On/off Speed: 100/1000 (Green)On/off Data: L/A (Green) On/off/Blinking Single/Duplex: FDX (Green) On/off
Power Supply	
Total PWR / Input Voltage	3.5W/ (5VDC)
Power Consumption	Standby<1W, Full Load<4W
Physical Parameter	
Operation TEMP / Humidity	-20°C to +55°C, 5%~90% RH Non condensing
Storage TEMP / Humidity	-40°C to +85°C, 5%~95% RH Non condensing
Dimension (L*W*H)	94*70*27mm
Net /Gross Weight	<0.3kg / <0.5kg
Installation	Desktop, 2U-14 Rack-mounted
Certification & Warranty	
Lightning Protection	Lightning protection: 4KV 8/20us, Protection level: IP30
Certification	CCC, CE mark, commercial, CE/LVD EN62368-1, FCC Part 15 Class B, RoHS
Warranty	1 year, lifelong maintenance.

DIMENSION

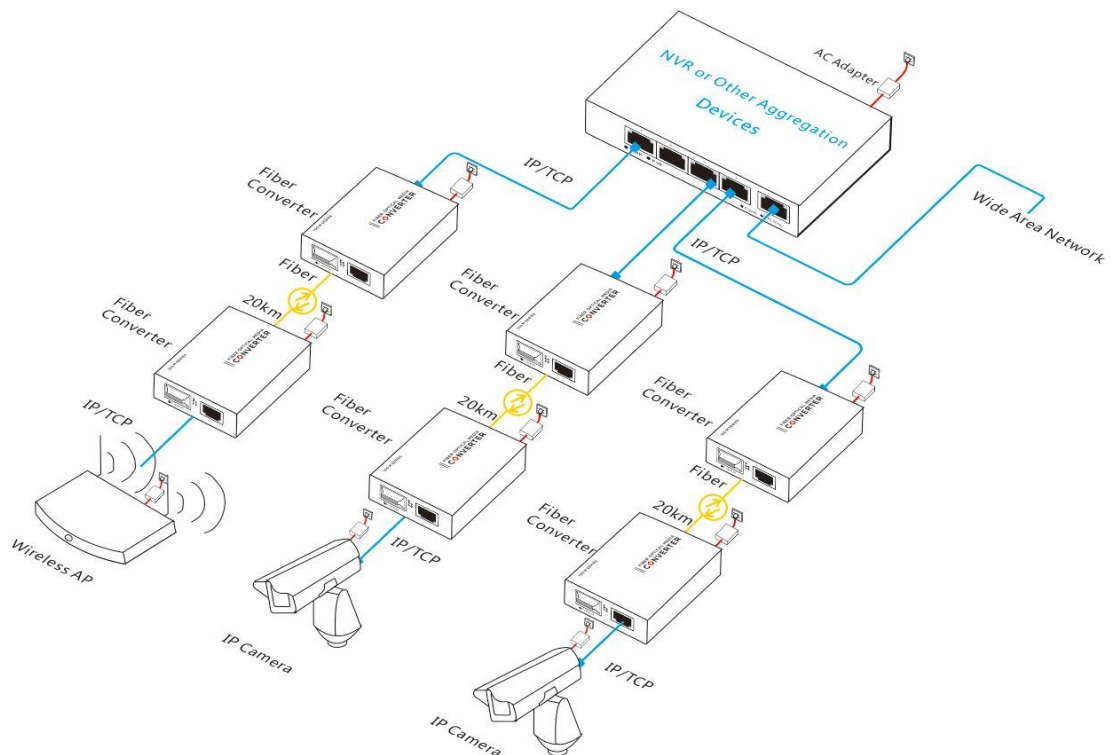


A. 1*10/100/1000M RJ45 port

B. 1*1.25G uplink SC port

C. Power DC5V input

APPLICATION



ORDERING INFORMATION

Model	Description
1110-MCX-K	Gigabit multi-mode dual fiber media converter with 1*10/100/1000M RJ45 port and 1*1.25G SC fiber port. Total power is 4W, 850nm wavelength, default transmission distance 0-550m. Support one-button switch LFP enable store-and-forward / pass-through forwarding. External power supply.
1110-SCX-K	Gigabit single-mode dual fiber media converter with 1*10/100/1000M RJ45 port and 1*1.25G SC fiber port. Total power is 4W, 1310nm wavelength, default transmission distance 0-20km. Support one-button switch LFP enable store-and-forward / pass-through forwarding. External power supply.
1110S-SCX-K-A	Gigabit single-mode single fiber media converter with 1*10/100/1000M RJ45 port and 1*1.25G SC fiber port. Total power is 4W, 1310nm wavelength, default transmission distance 0-20km. Support one-button switch LFP enable store-and-forward / pass-through forwarding. External power supply.
1110S-SCX-K-B	Gigabit single-mode single fiber media converter with 1*10/100/1000M RJ45 port and 1*1.25G SC fiber port. Total power is 4W, 1550nm wavelength, default transmission distance 0-20km. Support one-button switch LFP enable store-and-forward / pass-through forwarding. External power supply.
1110-MLX-F	Gigabit multi-mode dual fiber media converter with 1*10/100/1000M RJ45 port and 1*1.25G SFP fiber port. Total power is 4W, 850nm wavelength, default transmission distance 0-550m. External power supply.
1110-SLX-F	Gigabit single-mode dual fiber media converter with 1*10/100/1000M RJ45 port and 1*1.25G SFP fiber port. Total power is 4W, 1310nm wavelength, default transmission distance 0-20km. External power supply.
1110S-SLX-F-A	Gigabit single-mode single fiber media converter with 1*10/100/1000M RJ45 port and 1*1.25G SFP fiber port. Total power is 4W, 1310nm wavelength, default transmission distance 0-20km. External power supply.
1110S-SLX-F-B	Gigabit single-mode single fiber media converter with 1*10/100/1000M RJ45

	port and 1*1.25G SFP fiber port. Total power is 4W, 1550nm wavelength, default transmission distance 0-20km. External power supply.
1110-MCX-O	Gigabit multi-mode dual fiber media converter with 1*10/100/1000M RJ45 port and 1*1.25G SC fiber port. Total power is 4W, 850nm wavelength, default transmission distance 0-550m. External power supply.
1110-SCX-O	Gigabit single-mode dual fiber media converter with 1*10/100/1000M RJ45 port and 1*1.25G SC fiber port. Total power is 4W, 1310nm wavelength, default transmission distance 0-20km. External power supply.
1110S-SCX-O-A	Gigabit single-mode single fiber media converter with 1*10/100/1000M RJ45 port and 1*1.25G SC fiber port. Total power is 4W, 1310nm wavelength, default transmission distance 0-20km. External power supply.
1110S-SCX-O-B	Gigabit single-mode single fiber media converter with 1*10/100/1000M RJ45 port and 1*1.25G SC fiber port. Total power is 4W, 1550nm wavelength, default transmission distance 0-20km. External power supply.

PACKING LIST

	CONTENT	QTY	UNIT
PACKING LIST	2-port gigabit single-mode dual fiber media converter	1	SET
	User Guide	1	PC
	Warranty Card	1	PC