

Product Datasheet

Single Port Gigabit Ultra-high Power PoE Injector

(PSE3501G)



OVERVIEW

PSE3501G is an unmanaged ultra-high power PoE injector independently developed by ONV. It has a 1*10/100/1000M RJ45 port and supports IEEE802.3bt ultra-high power. Single-port PoE power up to 95W, and the maximum PoE output power is 110W. It is backward compatible with the IEEE802.3af/at PoE standard. As a PoE power supply device, it can automatically detect and identify the power receiving device that meets the standard and supply power to it through the network cable. It can supply power to POE terminal equipment such as wireless AP, network camera, VoIP, video door intercom, etc. through the network cable, to meet the network environment that requires a high-density PoE power supply, suitable for hotels, campuses, parks, attractions, supermarkets, and factories Dormitories and small and medium-sized enterprises form a cost-effective network.

Unmanaged models, plug-and-play, no configuration, simple and convenient to use; PoE injector provides simple, economic, high-performance, intelligent Ethernet PoE power supply and data communication solutions. It is easy to use, easy to install, superior in performance, and

cost-effective. It is an ideal choice for customers to improve project quality. It can expand the traditional power line network, reduce the use of power lines, and effectively reduce the construction cost and maintenance cost of the project under the condition that the power supply cannot be provided at the remote end.

FEATURE

■ 1 in 1 out of the Ethernet port arrangement, easy to connect

- ◇ Support non-blocking wire-speed forwarding.
- ◇ Using 1 in 1 out (down in and up out) connection mode, 1*10/100/1000Mbps RJ45 port, convenient connection, and simple maintenance.

■ Smart PoE power supply function

- ◇ 1*10/100/1000Base-T RJ45 port supports bt PoE, meeting the needs of ultra-high power PoE power supply in various scenarios.
- ◇ The maximum output power of single-port POE is 60W, and backward compatible with the IEEE802.3af/at PoE standard. It automatically recognizes PoE devices for power supply without damaging non-PoE devices.

■ Stable and reliable

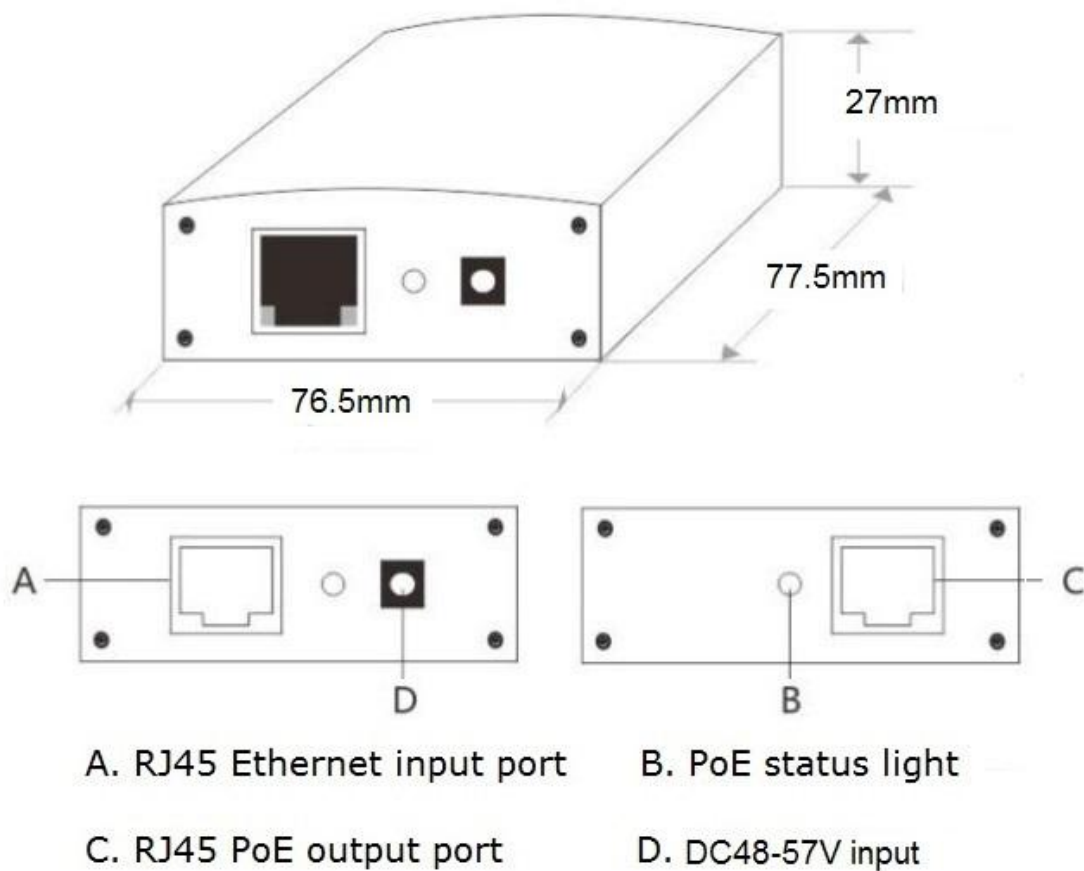
- ◇ CCC,CE, FCC, RoHS.
- ◇ Support desktop and wall-mounted installation.
- ◇ Plug and play, no configuration, simple and convenient.
- ◇ Self-developed power supply, high redundancy design, providing a long term and stable PoE power output.
- ◇ The user-friendly panel can show the device status through the LED indicator of PWR, PoE.
- ◇ Low power consumption, silent fan active heat dissipation design, metal casing to ensure stable operation of the equipment.

TECHNICAL SPECIFICATION

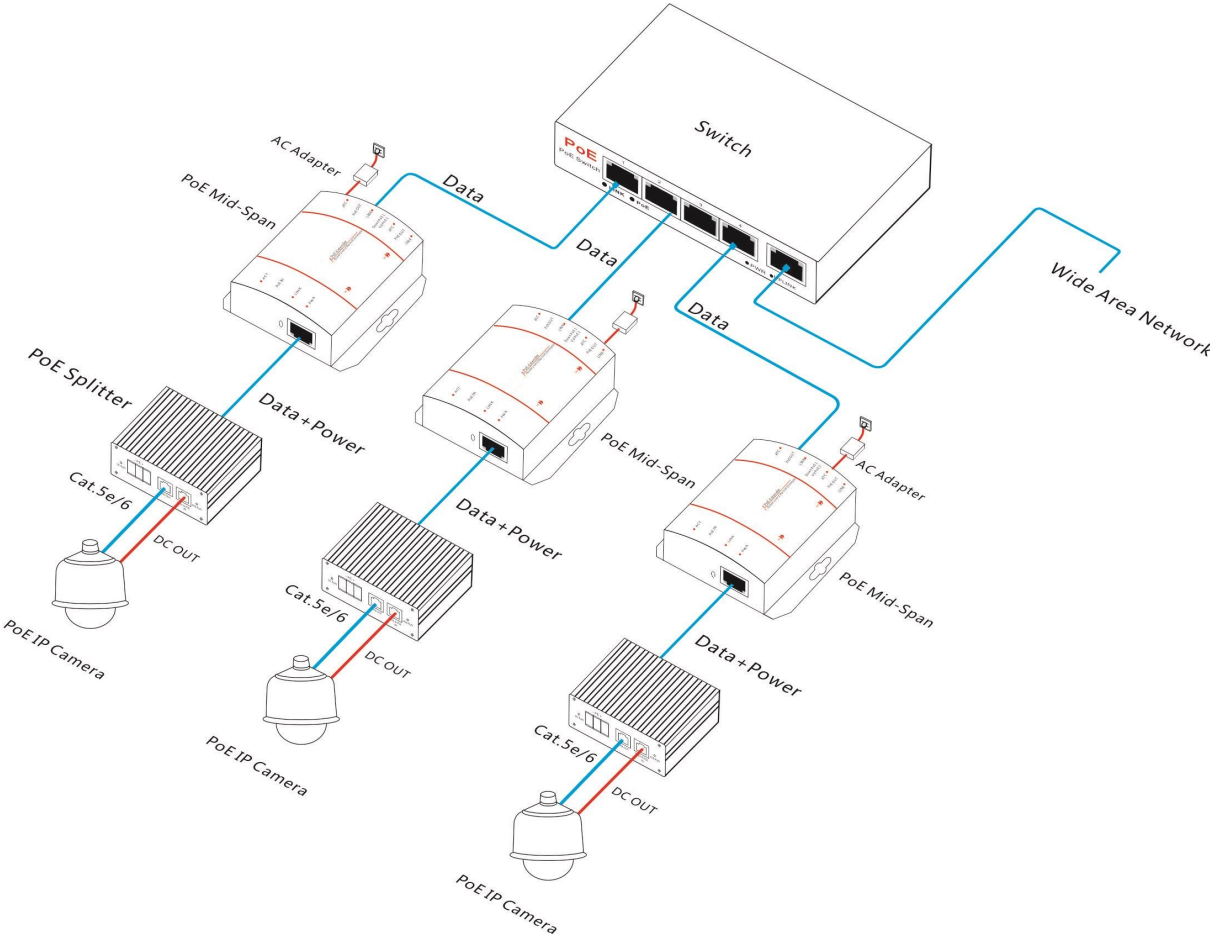
Model	PSE3501G
Interface Characteristics	
Fixed Port	1*10/100/1000M bt PoE port (Data /Power) 1*10/100/1000M uplink RJ45 port (Data)
Ethernet Port	10/100/1000Base-T(X) auto-sensing, full/half duplex MDI/MDI-X self-adaption
Twisted Pair Transmission	10BASE-T: Cat3,4,5 UTP(≤100 meters) 100BASE-TX: Cat5 or later UTP(≤100 meters) 1000BASE-T: Cat5e or later UTP(≤100 meters)
Network Protocol and Indicator	
Network Protocol	IEEE802.3 10BASE-T, IEEE802.3i 10Base-T, IEEE802.3u 100Base-TX IEEE802.3u 1000Base-T, IEEE802.3z 1000Base-X, IEEE802.3x
LED Indicator	Power: PWR (Green), PoE: PoE (Green)
PoE & Power Supply	
PoE Port	Port 1 support bt POE and backward compatible with IEEE802.3af/at @ POE
Power Supply Pin	1/2(+)/3/6(-) 4/5 (+) 7/8 (-)
Max Power Per Port	95W, IEEE802.3af/at/bt
Total PWR / Input Voltage	110W /52VDC
Power Consumption	Standby<5W, Full Load<110W
Power Supply	External power adapter, DC input voltage: DC48-57V
Physical Parameter	
Operation TEMP / Humidity	-20~+55°C, 5%~90% RH Non condensing
Storage TEMP /	-40~+80°C, 5%~95% RH Non condensing

Humidity	
Dimension (L*W*H)	77.5*76.5*27mm
Net /Gross Weight	<0.12kg /<0.2kg
Installation	Desktop, Wall-mounted
Certification & Warranty	
Lightning Protection	Lightning protection: 4KV 8/20us, Protection level: IP30
Certification	CCC,CE mark, commercial, CE/LVD EN62368-1, FCC Part 15 Class B, RoHS
Warranty	1 year, lifelong maintenance.

DIMENSION



APPLICATION



ORDERING INFORMATION

Model	Description	Power Adapter
PSE3501G	Single port gigabit ultra-high power PoE injector support bt PoE and is backward compatible with IEEE802.3af/at PoE standard. Single-port PoE power is 95W, the maximum PoE output power of the device is 110W. The uplink RJ45 port support PoE output and the downlink RJ45 port supports network connection. supporting desktop and wall-mounted installation.	110W

PACKING LIST

	Content	Qty	Unit
Packing List	Single port gigabit ultra-high power PoE injector	1	SET
	User Guide	1	PC
	Warranty Card	1	PC

RELATED PRODUCT

Model	Description
PSE3401G	Single port gigabit ultra-high power PoE injector can support bt PoE and is backward compatible with IEEE802.3af/at PoE standard. Single-port PoE power is 60W, the maximum PoE output power of the device is 65W. The uplink RJ45 port support PoE output and the downlink RJ45 port supports network connection.