

Product Datasheet

Single-port Gigabit PoE Injector

(PSE3301DC)



OVERVIEW

PoE injector is also called the Power over Ethernet mid-spans equipment. The centralized PoE injector is also called the PoE module. PSE3301DC is an unmanaged PoE injector. It has 1*10/100/1000M RJ45 port. It can support IEEE802.3af/at PoE standard. Single-port PoE power reaches 30W, and the maximum PoE output power of the machine is 18W (at-35W). As a PoE power supply device, it can automatically detect and identify the power receiving device that meets the standard and supply power to it through the network cable. It can supply power to POE terminal equipment such as wireless AP, IP camera, IP phone, video access control intercom and other PoE terminal equipment through the network cable to meet the network environment that requires high-density PoE power supply.

It is suitable for hotels, campuses, factory dormitories, and small and medium-sized enterprises.

Unmanaged model, plug and play, no configuration required, easy to use. PoE injector provides a

simple, economical, high-performance, intelligent solution for PoE power over Ethernet and data communication. Simple to use, easy to install, superior in performance and cost-effective, it is an ideal choice for customers to improve the quality of their projects. Under the condition that the power supply cannot be provided remotely, the traditional power line network can be expanded, the use of power lines can be reduced, and the construction cost and maintenance cost of the project can be effectively reduced.

FEATURE

■ Gigabit Ethernet port (1 Ethernet in and 1 Ethernet out) easy to connect

- ◇ Support non-blocking wire-speed forwarding.
- ◇ Using 1 Ethernet in and 1 Ethernet out connection mode, 1*10/100/1000Mbps RJ45 port, convenient connection, and simple maintenance.

■ Smart PoE power supply function

- ◇ IEEE 802.3af/at PoE standard, without damaging non-PoE devices.
- ◇ 1*10/100/1000Base-T RJ45 port support PoE power, meeting the needs of security monitoring, teleconferencing system, wireless coverage, and other scenarios.

■ Stable and reliable

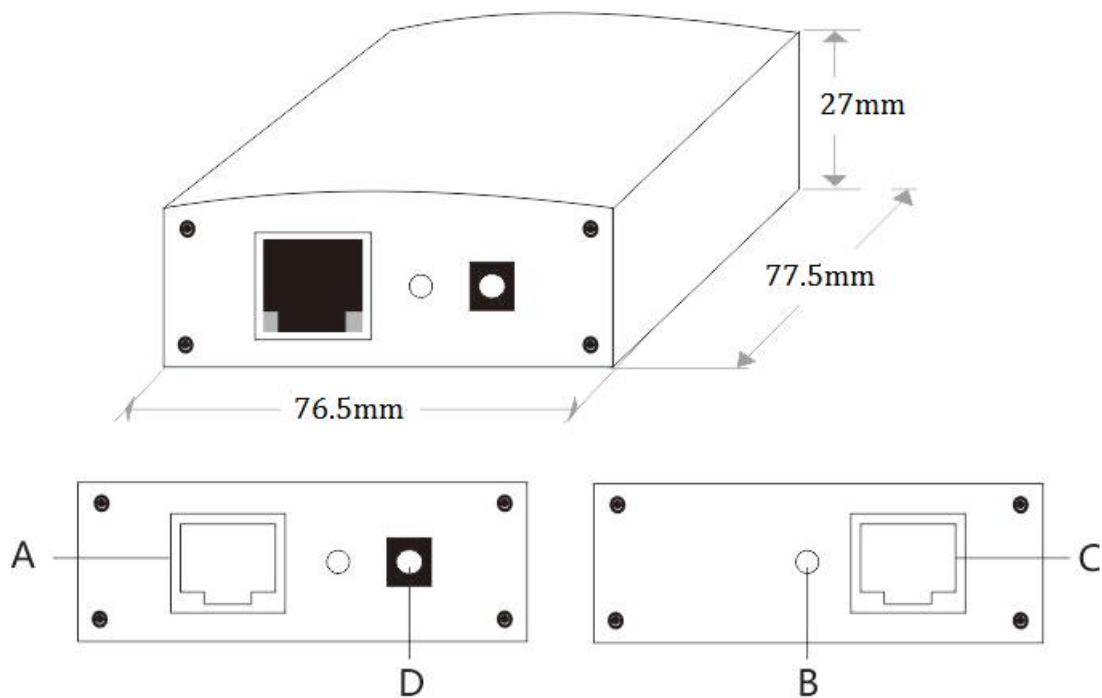
- ◇ CCC, CE, FCC, RoHS.
- ◇ Support desktop and wall-mounted installation.
- ◇ Plug and play, no configuration, simple and convenient.
- ◇ The user-friendly panel can show the device status through the LED indicator of PWR, PoE.
- ◇ Low power consumption, active fan cooling design, metal casing to ensure stable operation of the product.
- ◇ Self-developed power supply, high redundancy design, providing a long term and stable PoE power output.

TECHNICAL SPECIFICATION

Model	PSE3301DC	PSE3301DC-at
Interface Characteristics		
Fixed Port	1*10/100/1000M PoE port (Data/Power) 1*10/100/1000M uplink RJ45 port (Data)	
Ethernet Port	10/100/1000Base-T(X) auto-sensing, Full/half duplex MDI/MDI-X self-adaption	
Twisted Pair Transmission	10BASE-T: Cat3,4,5 UTP(≤100 meter) 100BASE-TX: Cat5 or later UTP(≤100 meter) 1000BASE-T: Cat5e or later UTP(≤100 meter)	
Network Protocol and Indicator		
Network Protocol	IEEE802.3 10BASE-T, IEEE802.3i 10Base-T IEEE802.3u 100Base-TX, IEEE802.3ab 1000Base-T, IEEE802.3	
LED Indicator	Power: PWR (Green), POE: PoE (Green)	
PoE & Power Supply		
PoE Port	IEEE802.3af/at @ POE	
Power Supply Pin	1/2 (+) 3/6 (-)	
Max Power Per Port	15W, IEEE802.3af	30W, IEEE802.3at
Total PWR / Input Voltage	18W/32VDC	35W/32VDC
Power Consumption	Standby<3W, Full load<15W	Standby<3W, Full load<30W
Power Supply	External power supply, DC input voltage: 12-32V	
Physical Parameter		
Operation TEMP / Humidity	-20~+55°C, 5%~90% RH Non condensing	
Storage TEMP / Humidity	-40~+80°C, 5%~95% RH Non condensing	

Dimension (L*W*H)	77.5*76.5*27mm
Net /Gross Weight	<0.12kg /<0.2kg
Installation	Desktop, Wall-mounted
Certification & Warranty	
Lightning Protection	Port lightning protection: 4KV 8/20us, Protection level: IP30
Certification	CCC, CE mark, commercial, CE/LVD EN62368-1, FCC Part 15 Class B, RoHS
Warranty	1 year, lifelong maintenance.

DIMENSION



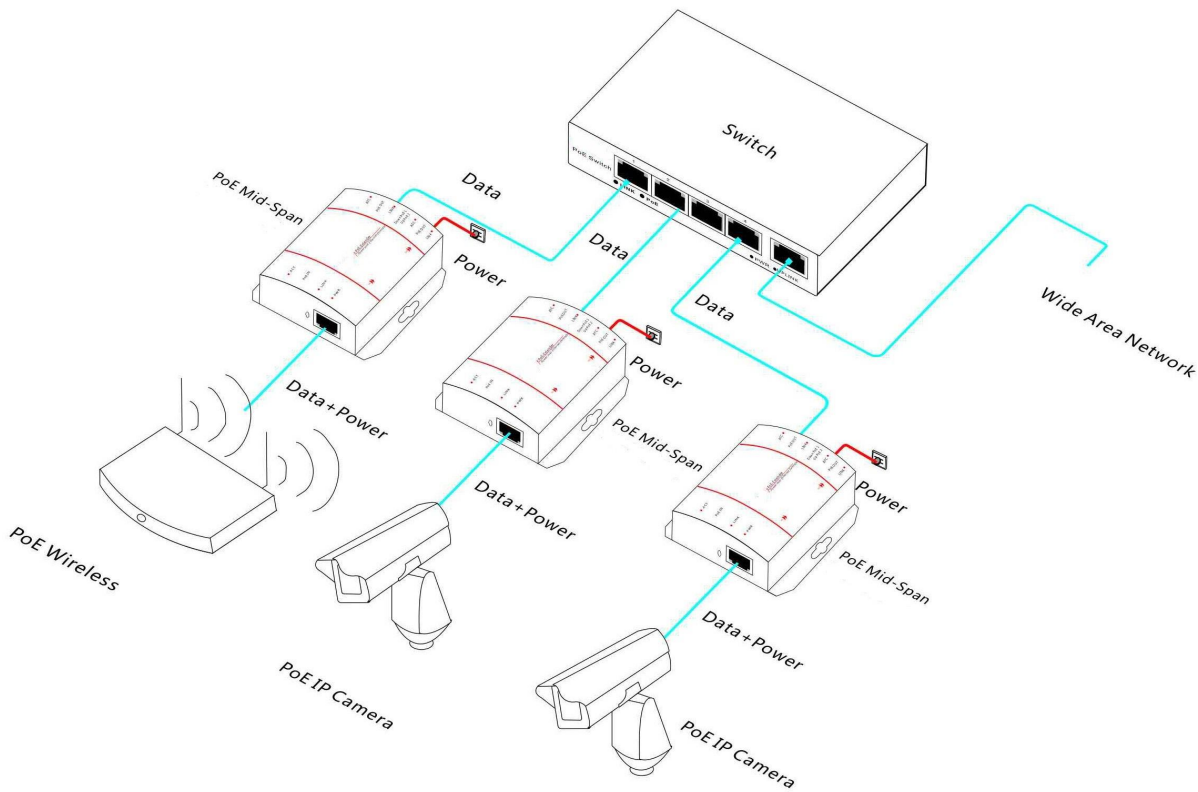
A. RJ45 Input port

B. PoE status indicator

C. RJ45 Output (PoE) port

D. DC input port: DC12-32V

APPLICATION



ORDERING INFORMATION

Model	Description	External Power Adapter
PSE3301DC	Single-port Gigabit PoE injector can support IEEE802.3af/at PoE standard. The uplink port supports PoE output, and the downlink port supports network connection. It support desktop, wall-mounted installation.	18W
PSE3301DC-at		35W

PACKING LIST

PACKING LIST	CONTENT	QTY	UNIT
	Single-port Gigabit PoE Injector	1	SET
	User Guide	1	PC
	Warranty Card	1	PC