

Product Datasheet

Single-port 10/100M Non-standard PoE Injector

(PSE1101AC-60)



OVERVIEW

PoE injector is also called Power over Ethernet midspan equipment. Centralized PoE injector are also called PoE power supply modules. PSE1101AC-60 is an unmanaged PoE injector. It has 1*10/100M PoE port, can support non-standard PoE power supply. single-port PoE power of 60W. It can provide stable, safe and reliable power output and data transmission for terminals such as PTZ network cameras, high-power wireless APs, high-power network multimedia speakers, and high-power POE lighting through network cables.

Unmanaged mode, plug and play, no need to configure, easy to use. PoE injector provide simple, economical, high-performance, intelligent Ethernet PoE power supply and data communication solutions. With the characteristics of simple use, convenient installation, superior performance and high cost performance, it is an ideal choice for customers to improve project quality. Under the condition that the remote power cannot be provided, expand the traditional power line network, reduce the use of power lines, and effectively reduce the construction cost and maintenance cost.

FEATURE

■ 1 Ethernet in and 1 Ethernet out, easy to connect

- ◇ Support non-blocking wire-speed forwarding.
- ◇ Using 1 Ethernet in and 1 Ethernet out connection mode, 2*10/100Mbps RJ45 port convenient connection, and simple maintenance.

■ Smart PoE power supply function

- ◇ 1*10/100Base-TX RJ45 port can support non-standard PoE power supply to meet the network power supply requirements of security monitoring, PoE lighting, wireless base stations, high-power network terminals and other scenarios.

■ Stable and reliable

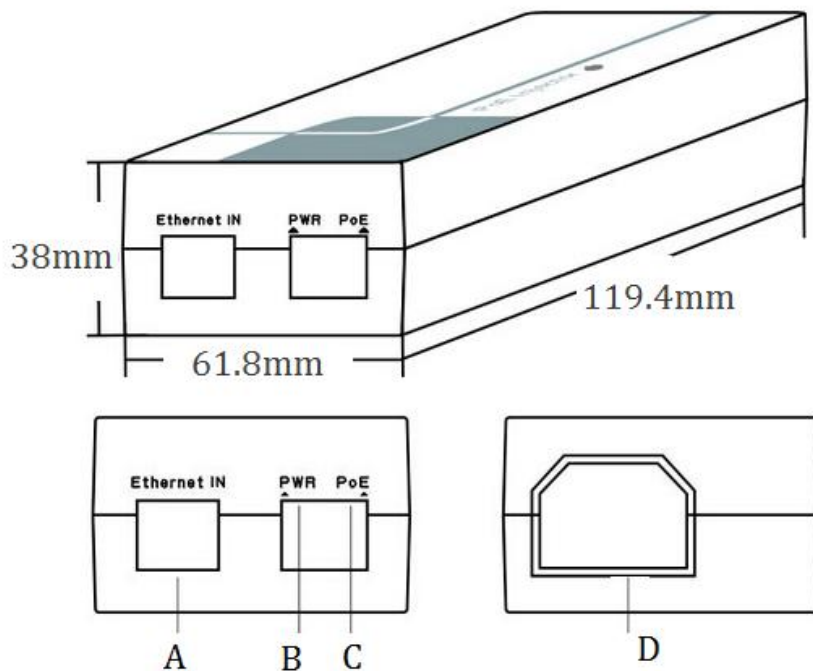
- ◇ CCC, CE, FCC, RoHS.
- ◇ Plug and play, no configuration, simple and convenient.
- ◇ The user-friendly panel can show the device status through the LED indicator of PWR, PoE.
- ◇ Self-developed power supply, high redundancy design, providing a long term and stable PoE power output.
- ◇ Low power consumption, No fan, advanced ABS and PC flame-retardant plastic shell is exquisite and beautiful.

TECHNICAL SPECIFICATION

Model	PSE1101AC-60	PSE1301AC-60
Interface Characteristics		
Fixed Port	1*10/100M PoE port (Data/Power) 1*10/100M uplink RJ45 port (Data)	1*10/100/1000M PoE port (Data/Power) 1*10/100/1000M uplink RJ45 port (Data)
Ethernet Port	10/100Base-TX auto-sensing, full/half duplex MDI/MDI-X self-adaption	10/100/1000Base-T auto-sensing, full/half duplex MDI/MDI-X self-adaption
Twisted Pair Transmission	10BASE-T: Cat3,4,5 UTP(≤100 meters) 100BASE-TX: Cat5 or later UTP(≤100 meters) 1000BASE-T: Cat5e or later UTP(≤100 meters) (PSE1101AC-60 support)	
Network Protocol and Indicator		
Network Protocol	IEEE802.3 10BASE-T, IEEE802.3i 10Base-T IEEE802.3u 100Base-TX, IEEE802.3x IEEE802.3ab1000Base-T (PSE1101AC-60 support)	
LED Indicator	Power: PWR (Green), POE: PoE (Green)	
PoE & Power Supply		
PoE Port	Support non-standard 60W PoE power supply	
Power Supply Pin	1/2(+)/3/6(-) & 4/5(+)/7/8(-)	
Max Power Per Port	60W	
Total PWR / Input Voltage	65W(AC100-240V)	
Power Consumption	Standby<3W, Full load<65W	
Physical Parameter		
Operation TEMP /	-20~+55°C, 5%~90% RH Non condensing	

Humidity	
Storage TEMP / Humidity	-40~+80°C, 5%~95% RH Non condensing
Dimension	119.4*61.8*38mm
Net /Gross Weight	<0.18kg /<0.2kg
Installation	Desktop
Certification & Warranty	
Lightning Protection	Port lightning protection: 4KV 8/20us, Protection level: IP30
Certification	CCC, CE mark, commercial, CE/LVD EN62368-1, FCC Part 15 Class B, RoHS
Warranty	1 year, lifelong maintenance.

DIMENSION



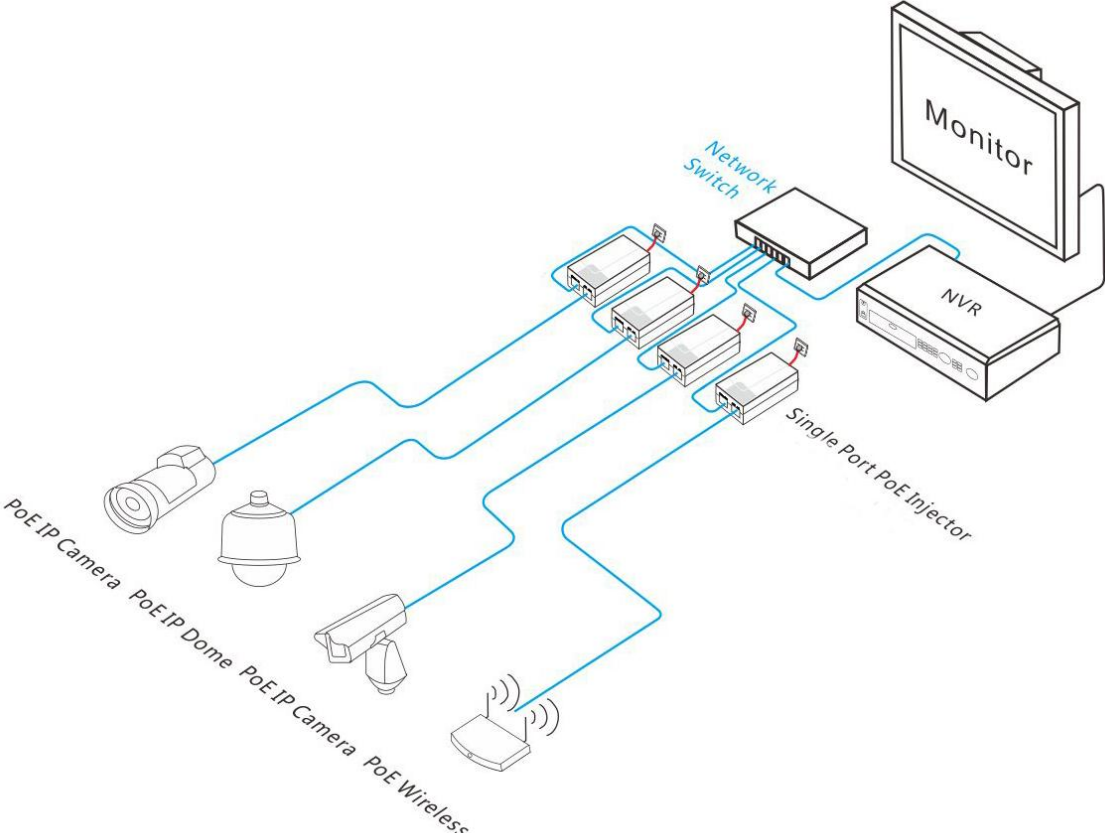
A. Ethernet input RJ45 port

B. Working status indicator

C. PoE output RJ45 port

D. Power input port AC100-240V, 50/60Hz

APPLICATION



ORDERING INFORMATION

Model	Description
PSE1101AC-60	Unmanaged AC input PoE injector with 1*10/100M PoE port and 1*10/100M uplink RJ45 port. POE output power up to 60W. Built-in 65W power supply.
PSE1301AC-60	Unmanaged AC input PoE injector with 1*10/100/1000M PoE port and 1*10/100/1000M uplink RJ45 port. POE output power up to 60W. Built-in 65W power supply.

PACKING LIST

	Content	Qty	Unit
Packing List	Single-port 10/100M non-standard PoE injector	1	SET
	AC power Line	1	PC
	User Guide	1	PC
	Warranty Card	1	PC