

## Product Datasheet

# 7-port Full Gigabit PoE Switch

(GWS-3064PFD)



## Overview

The GWS-3064PFD is a full gigabit unmanaged PoE switch. It has 6\*10/100/1000Base-T PoE ports and 1\*1000Base-X uplink SFP ports. Port 1-4 can support IEEE802.3af/at PoE standard. Single-port PoE power up to 30W. As a PoE power supply device, it can automatically detect and recognize the power receiving equipment that meets the standard and supply power through the network cable. It can supply power to POE terminal equipment such as wireless AP, webcam, VoIP phone, video access control intercom, etc. through network cable to meet the network environment that needs high-density PoE power supply. It is suitable for hotels, campuses, factory quarters and small and medium-sized enterprises to form an economy efficient network.

Unmanaged model, plug and play, no configuration, easy to use.

## Feature

### ■ Full gigabit rate, dual optical ports uplink

- ◇ Support non-blocking wire-speed forwarding for smoother transmission.
- ◇ Support IEEE 802.3x full-duplex flow control and Backpressure half-duplex flow control.
- ◇ Provides Gigabit Ethernet ports and SFP ports uplink for flexible networking and meets the networking requirements of various scenarios.

### ■ Intelligent PoE power supply

- ◇ Comply with IEEE 802.3 af/at PoE standard, automatically identify PoE devices for power supply, and not damage non-PoE devices.
- ◇ 4\*10/100/1000Base-T RJ45 ports, meeting the needs of security monitoring, teleconferencing system, wireless coverage, and other scenarios.
- ◇ Priority system for PoE port, it will supply power to the high priority level port first when the power budget is insufficient and avoid overwork of the device.

### ■ Stable and reliable, easy to use

- ◇ CCC,CE, FCC, RoHS.
- ◇ Plug and play, no configuration, simple and convenient.
- ◇ Low power consumption, galvanized steel casing, no fan.
- ◇ The user-friendly panel can show the device status through the LED indicator of PWR, Link, PoE.
- ◇ Self-developed power supply, high redundancy design, providing a long term and stable PoE power output.

### ■ Innovative function

- ◇ **PoE watchdog:** The watchdog function is enabled by default for ports 1 to 4, which can automatically detect the data communication status in real-time. When the port communication fails, the corresponding port POE will automatically restart, and the network communication can be repaired by itself, eliminating manual maintenance costs.

- ◇ **Long-distance and VLAN mode (E):** switch to "ON" position (default "OFF"), the port 1 to 4 rate is 10M, and the physical VLAN isolation function is turned on at the same time to suppress broadcast storms and improve network performance. Using the existing twisted pair can break through the 100 meters transmission limit, and the transmission distance can be up to 250 meters. At the same time, it can solve the problem of poor transmission caused by aging lines.

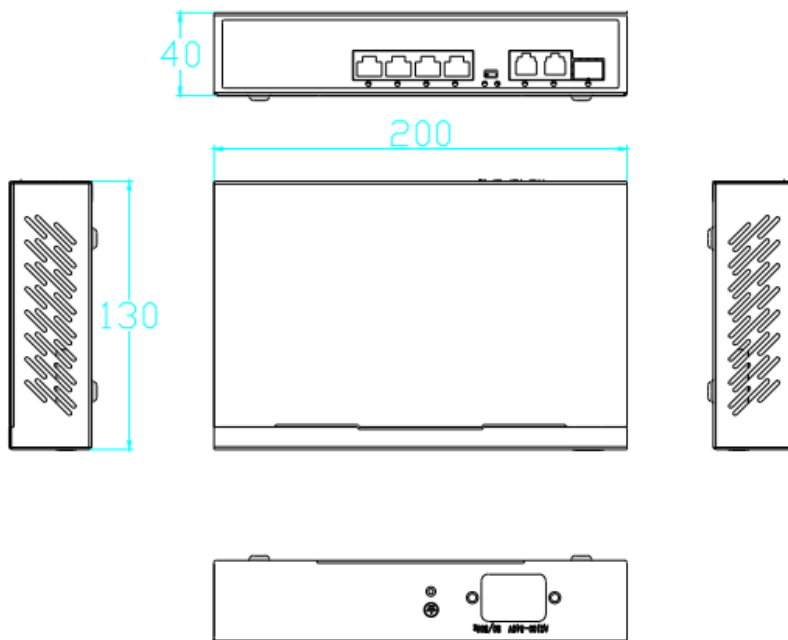
## Technical Specification

Model	GWS-3064PFD	GWS-3108PFD
<b>Interface Characteristics</b>		
Fixed Port	4*10/100/1000Base-T PoE ports (Data/Power)  2*10/100/1000Base-T uplink RJ45 ports (Data)  1*1000Base-X uplink SFP ports (Data)	8*10/100/1000Base-T PoE ports (Data/Power)  2*10/100/1000Base-T uplink RJ45 ports (Data)  1*1000Base-X uplink SFP ports (Data)
Ethernet Port	Port 1-6/1-10 can support 10/100/1000Base-T automatic detection, full/half-duplex MDI/MDI-X auto-sensing	
Twisted Pair Transmission	10BASE-T: Cat3,4,5 UTP(≤250 meter)  100BASE-TX: Cat5 or later UTP(≤100 meter)	

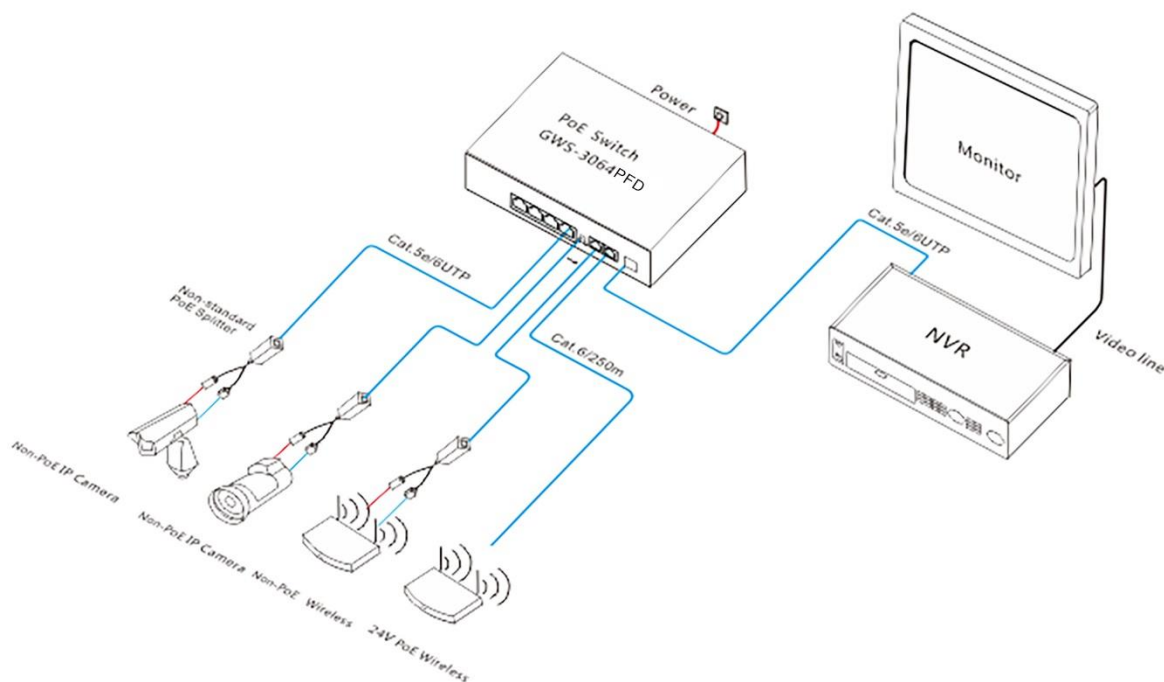
	1000BASE-T: Cat5e or later UTP(≤100 meter)	
Optical Fiber Port	Gigabit optical fiber port, default no include optical module(optional order single-mode / multi-mode, single fiber / dual fiber optical module. LC/SC)	
Optical Cable/ Distance	Multi-mode: 850nm/ 0-550m Single-mode: 1310nm/ 0-40km, 1550nm/ 0-120km	
Functional Switch	<b>E</b> : long-distance and VLAN isolation function (Default: OFF, Use:ON), After opening, the transmission rate of ports 1-4/1-8 is 10M to achieve 250 meters transmission.	
<b>Chip Parameter</b>		
Network Protocol	IEEE802.3 10BASE-T, IEEE802.3i 10Base-T IEEE802.3u 100Base-TX, IEEE802.3ab 1000Base-T, IEEE802.3x	
Forwarding Mode	Store and Forward(Full Wire Speed)	
Switching Capacity	14Gbps (Non-blocking)	22Gbps (Non-blocking)
Forwarding Rate@64byte	10.4Mpps	16.37Mpps
MAC	2K	2K
Buffer Memory	2M	
Jumbo Frame	9.2K	
LED Indicator	Power: PWR (Green), Network: Link (Green), PoE: PoE (Red), Functional switch: EXTEND (Green)	
<b>PoE &amp; Power Supply</b>		
PoE Port	Port 1 to 4 @ IEEE802.3af/at	Port 1 to 8 @ IEEE802.3af/at
Power Supply Pin	1/2(+) 3/6(-)	
Max Power Per Port	30W, IEEE802.3af/at	
Total PWR / Input Voltage	65W/ (AC100-240V)	120W/ (AC100-240V)
Power Consumption	Standby <3W, Full load <65W	Standby <4W, Full load <120W
Power Supply	Built-in power supply,	Built-in power supply,

	AC100~240V 50-60Hz 1.0A	AC100~240V 50-60Hz 2.2A
<b>Physical Parameter</b>		
Operation TEMP / Humidity	-20~+55°C, 5%~90% RH Non condensing	
Storage TEMP / Humidity	-40~+80°C, 5%~95% RH Non condensing	
Dimension (L*W*H)	200*130*40mm	200*130*40mm
Net /Gross Weight	<0.6kg / <0.9kg	<0.65kg / <0.95kg
Installation	Desktop, Wall-mounted	
<b>Certification &amp; Warranty</b>		
Lightning Protection	Lightning protection: 4KV 8/20us, Protection level: IP30	
Certification	CCC, CE mark, commercial, CE/LVD EN62368-1, FCC Part 15 Class B, RoHS	
Warranty	1 year, lifelong maintenance.	

## Dimension



## Application



## Ordering Information

Model	Description	Power Supply
GWS-3064PFD	Unmanaged PoE switch with 6*10/100/1000M PoE ports and 1*1000Base-X uplink SFP ports. Port 1-4 can support IEEE802.3af/at PoE standard. Built-in 65W power supply.	52V/65W
GWS-3108PFD	Unmanaged PoE switch with 10*10/100/1000M PoE ports and 1*1000Base-X uplink SFP ports. Port 1-8 can support IEEE802.3af/at PoE standard. Built-in 120W power supply.	52V/120W

**Note:** Default does not include mounting ears. If need to configure it, need to purchase it separately.

# Packing List

	CONTENT	QTY	UNIT
Packing List	7-port full gigabit PoE switch	1	SET
	AC Power Line	1	PC
	User Guide	1	PC
	Warranty Card	1	PC

# Contact Us



Tel: 0086-752-3397806

WeChat: HZGWS--PoE

Email: hzgws@hzgws.com

Skype: hzgws@hzgws.com

Website: [www.hzgws.com](http://www.hzgws.com)

Address: Building 3, Phase II, Xinghe Artificial Intelligence Industrial Park, No.333 Zhongkai 6th Road, Chenjiang Street, Zhongkai High-tech Zone, Huizhou

