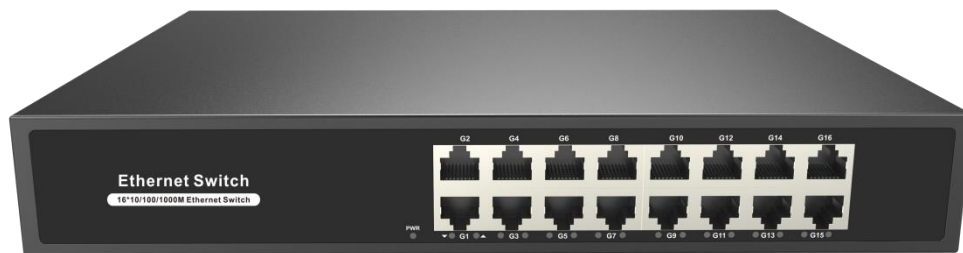


## Product Datasheet

# 16-port Gigabit Ethernet Switch

(GWS-H3016)



## OVERVIEW

The GWS-H3016 is a high-performance and easy-to-maintain high-speed forwarding unmanaged Ethernet switch. It is suitable for hotels, banks, campuses, factory dormitories, and small and medium-sized enterprises.

The GWS-H3016 has 16\*10/100/1000M adaptive RJ45 ports. The bidirectional transmission rate is up to 2000Mbps, which realizes the convenient connection and expansion of the network. Each port support full line-speed forwarding. 4M large-capacity cache to ensure timely transmission of large files and stable video streaming. 7\*24 hours of stability, and no disconnection effectively solving problems such as video freezes and picture loss in high-definition surveillance environments. The switch adopts an all-steel shell. Simple, stylish, and durable. Support desktop, wall-mounted, and 1U rack-mounted. Plug and play, no configuration, simple and convenient to use.

## FEATURE

### ■ Full gigabit rate, high-speed transmission

- ◇ Support non-blocking wire-speed forwarding.
- ◇ Support full-duplex based on IEEE802.3x and half-duplex based on Backpressure.
- ◇ Support 10/100/1000M adaptive RJ45 port, plug and play, to meet the networking needs of various scenarios.

### ■ Stable and reliable

- ◇ CE, FCC, RoHS.
- ◇ Low power consumption, metal casing.
- ◇ Self-developed power supply, high redundancy design, providing a long term and stable power output.

### ■ Easy to operate

- ◇ Plug and play, no configuration, simple and convenient.
- ◇ The user-friendly panel, it can show the device status through the LED indicator of PWR, Link.

## TECHNICAL SPECIFICATION

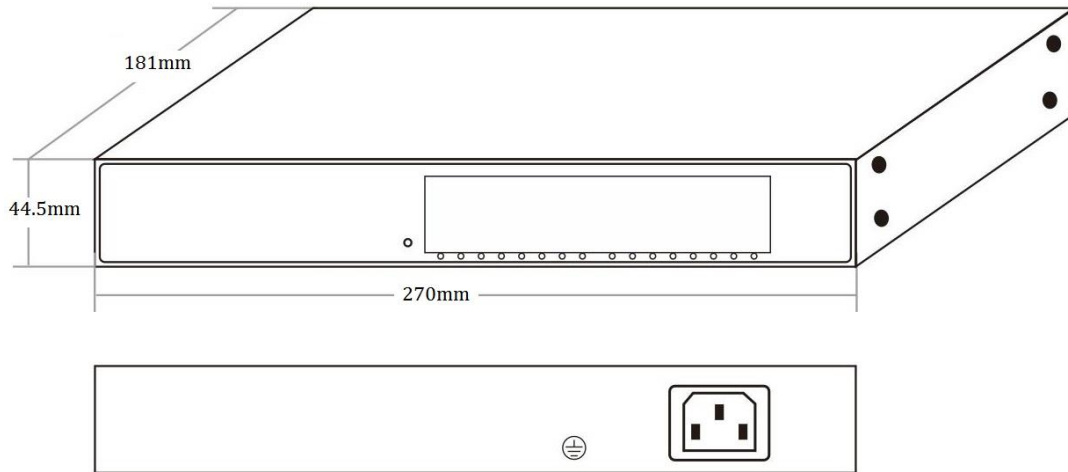
Model	GWS-H3016	GWS-H3024
<b>Interface Characteristics</b>		
Fixed Port	16*10/100/1000Base-T RJ45 ports (Data)	24*10/100/1000Base-T RJ45 ports (Data)
Ethernet Port	10/100/1000Base-T auto-sensing, full/half duplex MDI/MDI-X self-adaption.	
Twisted Pair Transmission	10BASE-T: Cat3,4,5 UTP(≤100 meter) 100BASE-TX: Cat5 or later UTP(≤100 meter) 1000BASE-T: Cat5e or later UTP(≤100 meter)	

Chip Parameter		
Network Protocol	IEEE802.3 10BASE-T, IEEE802.3i 10Base-T, IEEE802.3u 100Base-TX IEEE802.3ab 1000Base-TX, IEEE802.3x	
Forwarding Mode	Store and Forward(Full Wire Speed)	
Switching Capacity	32Gbps (Non-blocking)	48Gbps (Non-blocking)
Forwarding Rate@64byte	23.81Mpps	35.71Mpps
MAC	8K	
Buffer Memory	4.1M	
LED Indicator	Power: PWR (Green), Network: Link(Green)	
Power Supply		
Total PWR / Input Voltage	<13W (AC100-240V)	<16W (AC100-240V)
Power Consumption	Standby<9W, Full Load<13W	Standby<10W, Full Load<16W
Power Supply	Built-in power supply, AC100~240V 50-60Hz 0.56A	
Physical Parameter		
Operation TEMP / Humidity	-20~+55°C, 5%~90% RH Non condensing	
Storage TEMP / Humidity	-40~+75°C, 5%~95% RH Non condensing	
Dimension (L*W*H)	270*181*44.5mm	330*204*44mm
Net /Gross Weight	<1.25kg /<1.6kg	<2.0kg /<2.4kg
Installation	Desktop, Wall-mounted, 1U/19 inch	
Certification & Warranty		
Lightning Protection	Lightning protection: 4KV 8/20us; Protection level: IP30	
Certification	CCC, CE mark, commercial, CE/LVD EN62368-1, FCC Part 15 Class B, RoHS	

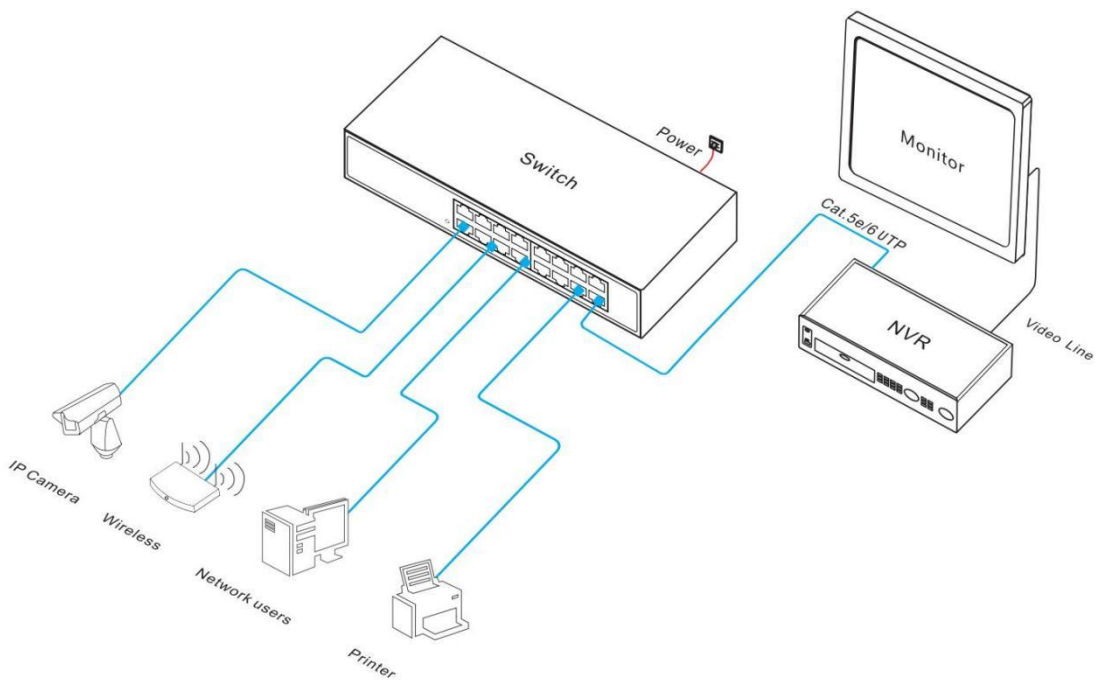
Warranty

1 year, lifelong maintenance.

## DIMENSION



## APPLICATION



## ORDERING INFORMATION

Model	Description	Configure Power Supply
GWS-H3016	Unmanaged Ethernet switch with 16*10/100/1000M RJ45 ports. Built-in power supply. Support 1U/19 inch rack installation.	20W
GWS-H3024	Unmanaged Ethernet switch with 24*10/100/1000M RJ45 ports. Built-in power supply. Support 1U/19 inch rack installation.	

## PACKING LIST

	CONTENT	QTY	UNIT
PACKING LIST	16-port gigabit Ethernet switch	1	SET
	AC Power Cable	1	PC
	Mounting Kits	1	SET
	User Guide	1	PC
	Warranty Card	1	PC

## RELATED PRODUCT

Model	Description
GWS-H1005S	Mini unmanaged Ethernet switch with 5*10/100M RJ45 ports. External power supply. Plastic shell.

GWS-H1008S	Mini unmanaged Ethernet switch with 8*10/100M RJ45 ports. External power supply. Plastic shell.
GWS-H3005S	Mini unmanaged Ethernet switch with 5*10/100/1000M RJ45 ports. External power supply. Plastic shell.
GWS-H3008S	Mini unmanaged Ethernet switch with 8*10/100/1000M RJ45 ports. External power supply. Plastic shell.
GWS-H1016	Unmanaged Ethernet switch with 16*10/100M RJ45 ports. Built-in power supply. Support 1U/19 inch rack installation. Metal shell.
GWS-H1024	Unmanaged Ethernet switch with 24*10/100M RJ45 ports. Built-in power supply. Support 1U/19 inch rack installation. Metal shell.

## CONTACT US



Tel: 0086-752-3397806

WeChat: HZGWS--PoE

Email: [h zgws@h zgws.com](mailto:h zgws@h zgws.com)

Skype: [h zgws@h zgws.com](https://www.skype.com/people/hzgws@h zgws.com)

Website: [www.hzgws.com](http://www.hzgws.com)



Address: Building 3, Phase II, Xinghe Artificial Intelligence Industrial Park, No.333 Zhongkai 6th Road, Chenjiang Street, Zhongkai High-tech Zone, Huizhou