

## Product Datasheet

# 10-port Full Gigabit PoE Switch

(GWS-3108PSD)



## Overview

The GWS-3108PSD is a full gigabit unmanaged PoE switch. It has 8\*10/100/1000Base-TX RJ45 ports and 2\*10/100/1000Base-TX RJ45 uplink ports. Port 1-8 can support IEEE802.3af/at PoE+ standard. Single-port PoE power up to 30W. The PoE port supports the watchdog function. When the port communication fails, the POE of the corresponding port will automatically restart, and the network communication will be restored by itself without affecting the normal operation of other ports, reducing manual intervention and maintenance costs. As a PoE power supply device, it can automatically detect and recognize the power-receiving equipment that meets the standard and supply power through the network cable. It can supply power to POE terminal equipment such as wireless AP, IP camera, VoIP phone, and building visual access control, intercom through a network cable, to meet the network environment that needs high-density PoE power supply, suitable for hotels, campuses, parks, supermarkets, scenic spots, factory quarters and SMB small and medium-sized enterprises form a cost-effective network. Unmanaged mode, plug, and play, no configuration, easy to use.

## Feature

### ■ Full gigabit access, high speed forwarding

- ◇ Support non-blocking wire-speed forwarding for smoother transmission.
- ◇ Support IEEE 802.3x full-duplex flow control and Backpressure half-duplex flow control.
- ◇ Provides 10\*10/100/1000Base-T RJ45 ports and Dual RJ45 port uplink allow users to flexibly network to meet the networking requirements of various scenarios.

### ■ Intelligent PoE power supply

- ◇ 8\*10/100/1000Base-TX RJ45 ports support PoE power to meet the needs of PoE power in various scenarios in the security field.
- ◇ Comply with PoE+ power standard, automatically identify PoE devices for power without damaging non-PoE devices, and the single port max PoE output power is 30W.
- ◇ The PoE port supports the watchdog function, which automatically detects the data communication status in real-time. When the port communication fails, the corresponding port PoE will automatically restart and repair the network communication by itself.

### ■ Stable and reliable, easy to use

- ◇ CCC,CE, FCC, RoHS.
- ◇ Plug and play, no configuration, simple and convenient.
- ◇ Low power consumption, galvanized steel casing, no fan.
- ◇ The user-friendly panel can show the device status through the LED indicator of PWR, Link, PoE.
- ◇ Self-developed power supply, high redundancy design, providing a long term and stable PoE power output.

### ■ Innovative function

- ◇ **PoE watchdog:** The watchdog function is enabled by default for ports 1 to 8, which can automatically detect the data communication status in real-time. When the port communication fails, the corresponding port POE will automatically restart, and the network

communication can be repaired by itself, eliminating manual maintenance costs.

- ◇ **Long-distance and VLAN mode (E):** switch to "ON" position (default "OFF"), the port 1 to 8 rate is 10M, and the physical VLAN isolation function is turned on at the same time to suppress broadcast storms and improve network performance. Using the existing twisted pair can break through the 100 meters transmission limit, and the transmission distance can be up to 250 meters. At the same time, it can solve the problem of poor transmission caused by aging lines.

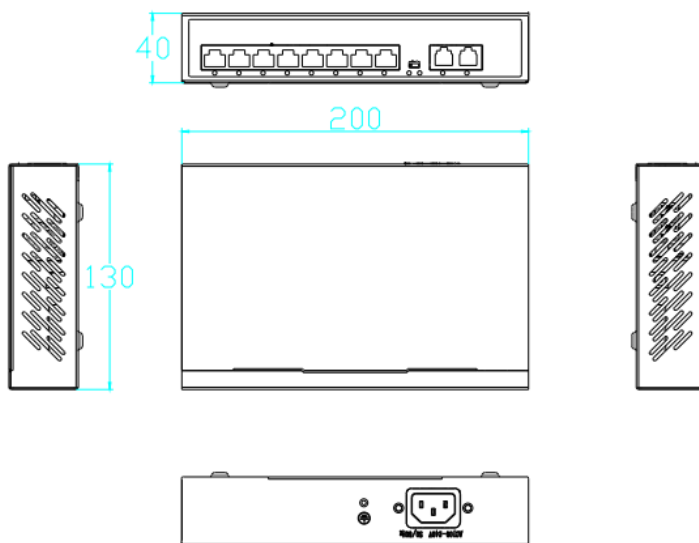
## Technical Specification

Model	GWS-3064PSD	GWS-3108PSD
<b>Interface Characteristics</b>		
Fixed Port	4*10/100/1000Base-T PoE ports (Data/Power)  2*10/100/1000Base-T uplink RJ45 ports (Data)	8*10/100/1000Base-T PoE ports (Data/Power)  2*10/100/1000Base-T uplink RJ45 ports (Data)
Ethernet Port	Port 1-6/1-10 can support 10/100/1000Base-T automatic detection, full/half-duplex MDI/MDI-X auto-sensing	
Twisted Pair Transmission	10BASE-T: Cat3,4,5 UTP(≤250 meter) 100BASE-TX: Cat5 or later UTP(≤100 meter) 1000BASE-T: Cat5e or later UTP(≤100 meter)	

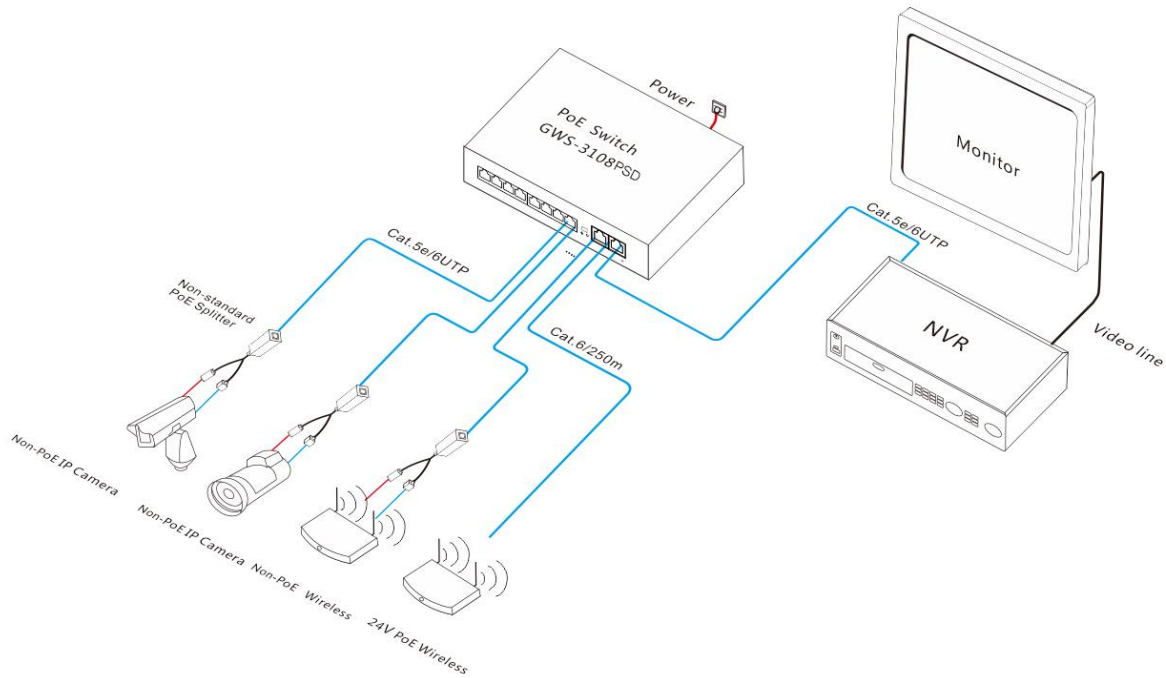
Functional Switch	<b>E:</b> long-distance and VLAN isolation function (Default: OFF, Use:ON), After opening, the transmission rate of ports 1-4/1-8 is 10M to achieve 250 meters transmission.	
<b>Chip Parameter</b>		
Network Protocol	IEEE802.3 10BASE-T, IEEE802.3i 10Base-T IEEE802.3u 100Base-TX, IEEE802.3ab 1000Base-T, IEEE802.3x	
Forwarding Mode	Store and Forward(Full Wire Speed)	
Switching Capacity	12Gbps (Non-blocking)	20Gbps (Non-blocking)
Forwarding Rate@64byte	8.93Mpps	14.88Mpps
MAC	2K	2K
Buffer Memory	2M	
Jumbo Frame	9.2K	
LED Indicator	Power: PWR (Green), Network: Link (Green), PoE: PoE (Red), Functional switch: EXTEND (Green)	
<b>PoE &amp; Power Supply</b>		
PoE Port	Port 1 to 4 @ IEEE802.3af/at	Port 1 to 8 @ IEEE802.3af/at
Power Supply Pin	1/2(+) 3/6(-)	
Max Power Per Port	30W, IEEE802.3af/at	
Total PWR / Input Voltage	65W/ (AC100-240V)	120W/ (AC100-240V)
Power Consumption	Standby <3W, Full load <65W	Standby <5W, Full load <120W
Power Supply	Built-in power supply, AC100~240V 50-60Hz 1.0A	Built-in power supply, AC100~240V 50-60Hz 2.2A
<b>Physical Parameter</b>		
Operation TEMP / Humidity	-20~+55°C, 5%~90% RH Non condensing	

Storage TEMP / Humidity	-40~+80°C, 5%~95% RH Non condensing	
Dimension (L*W*H)	200*130*40mm	200*130*40mm
Net /Gross Weight	<0.6kg / <1.0kg	<0.8kg / <1.2kg
Installation	Desktop, Wall-mounted	
<b>Certification &amp; Warranty</b>		
Lightning Protection	Lightning protection: 4KV 8/20us, Protection level: IP30	
Certification	CCC, CE mark, commercial, CE/LVD EN62368-1, FCC Part 15 Class B, RoHS	
Warranty	1 year, lifelong maintenance.	

## Dimension



## Application



## Ordering Information

Model	Description	Power Supply
GWS-3064PSD	Unmanaged PoE switch has 4*10/100/1000M RJ45 ports and 2*10/100/1000M RJ45 uplink ports. Ports 1-4 support PoE+ standard. The POE watchdog function is turned on by default(automatically restart PoE to realize network self-healing), switch the functional switch, ports 1-4 rate is 10M/250 meters transmission and built-in power supply.	52V/65W
GWS-3108PSD	Unmanaged PoE switch has 8*10/100/1000M RJ45 ports and 2*10/100/1000M RJ45 uplink ports. Ports 1-4 support PoE+ standard. The POE watchdog function is turned on by default(automatically restart PoE to realize network self-healing), switch the functional switch, ports 1-4 rate is 10M/250 meters transmission and built-in power supply.	52V/120W

**Note:** Default does not include mounting ears. If need to configure it, need to purchase it separately.

## Packing List

	CONTENT	QTY	UNIT
Packing List	10-port full gigabit PoE switch	1	SET
	AC Power Line	1	PC
	User Guide	1	PC
	Warranty Card	1	PC

## Contact Us



Tel: 0086-752-3397806

WeChat: HZGWS--PoE

Email: [h zgws@h zgws.com](mailto:h zgws@h zgws.com)

Skype: [h zgws@h zgws.com](https://www.skype.com/people/hzgws@h zgws.com)

Website: [www.hzgws.com](http://www.hzgws.com)

Address: Building 3, Phase II, Xinghe Artificial Intelligence Industrial Park, No.333 Zhongkai 6th Road, Chenjiang Street, Zhongkai High-tech Zone, Huizhou

