

## Product Datasheet

# 5-port Full Gigabit Industrial Ethernet Switch

(GWS-IPS3005)



## Overview

The GWS-IPS3005 is a gigabit industrial Ethernet switch. It is designed to meet industrial fields and systems and can operate stably for a long time in harsh environments. It has 5\*10/100/1000M RJ45 ports. Each port can support full line-rate forwarding.

The GWS-IPS3005 Ethernet switch has excellent industrial field environment adaptability (including mechanical stability, climate adaptability, electromagnetic environment adaptability, etc.). The protection level is IP30, It can support dual redundant power supply, low power consumption, and no fan. 5-year warranty. It is suitable for industrial scenes such as intelligent transportation, rail transit, electric power, mining, metallurgy, and green energy construction to form a cost-effective and stable communication network.

Unmanaged model, plug and play, no configuration, easy to use.

## Feature

### ■ Gigabit wire speed forwarding

- ◇ Support non-blocking wire-speed forwarding.
- ◇ Support full-duplex based on IEEE802.3x and half-duplex based on Backpressure.
- ◇ Supports gigabit RJ45 port and dual uplink RJ45 port combination, which enables users to flexibly build networking to meet the needs of various scenarios.

### ■ Stable and reliable

- ◇ CCC, CE, FCC, RoHS.
- ◇ The user-friendly panel can show the device status through the LED indicator of PWR, Link.
- ◇ Low power consumption, No fan, aluminum shell, excellent heat dissipation to ensure the stable operation of the switch.

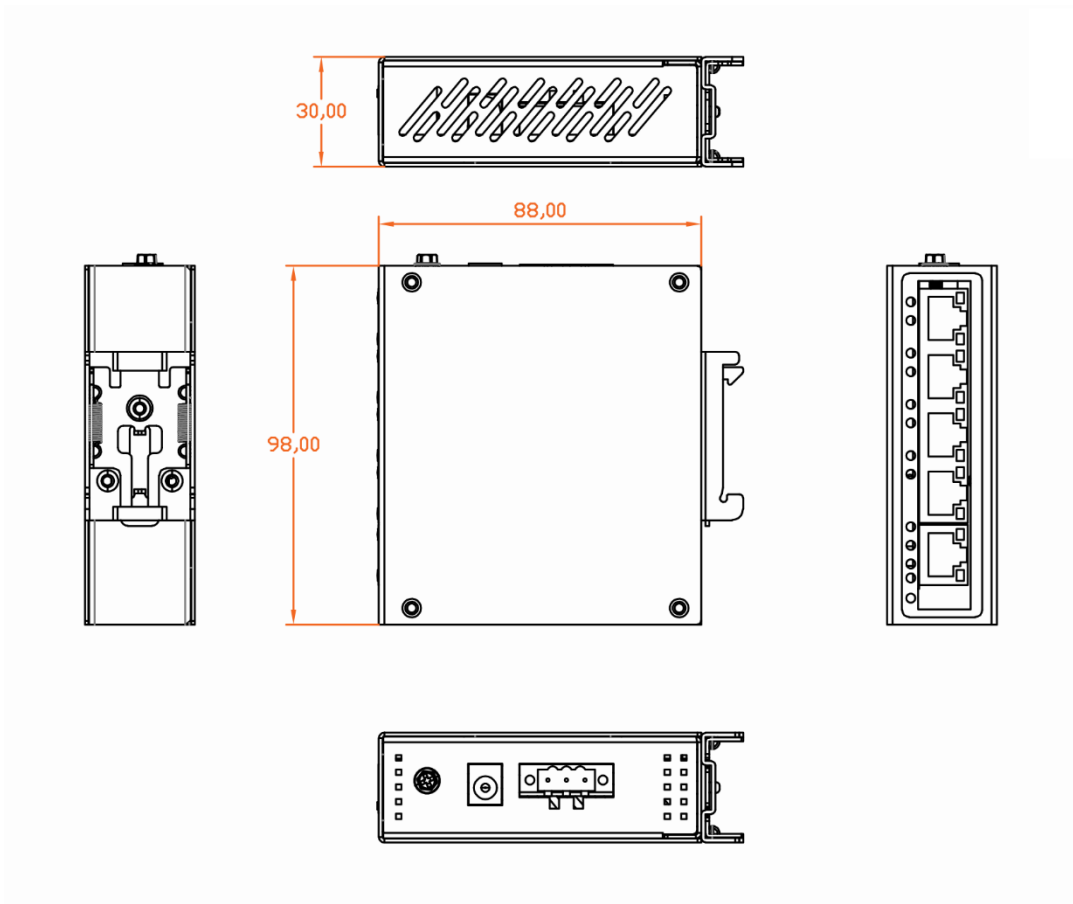
## Technical Specification

Model	GWS-IPS3005
<b>Interface Characteristics</b>	
Fixed Port	5*10/100/1000Base-T RJ45 ports (Data) 2 set of V+, V- redundant DC power ports (3P Phoenix terminal+DC5521 Jack)
Ethernet Port	Port 1-5 support 10/100/1000Base-T(X) auto-sensing, full/ half duplex MDI/MDI-X self-adaption
Twisted Pair Transmission	10BASE-T: Cat3,4,5 UTP(≤100 meters) 100BASE-TX: Cat5 or later UTP(≤100 meters) 1000BASE-T: Cat5e or later UTP(≤100 meters)
<b>Chip Parameter</b>	
Network Protocol	IEEE802.3 10BASE-T, IEEE802.3i 10Base-T, IEEE802.3u 100Base-TX IEEE802.3u 100Base-TX, IEEE802.3ab 1000Base-T, IEEE802.3x
Forwarding Mode	Store and Forward(Full Wire Speed)
Switching Capacity	12Gbps (no-blocking)

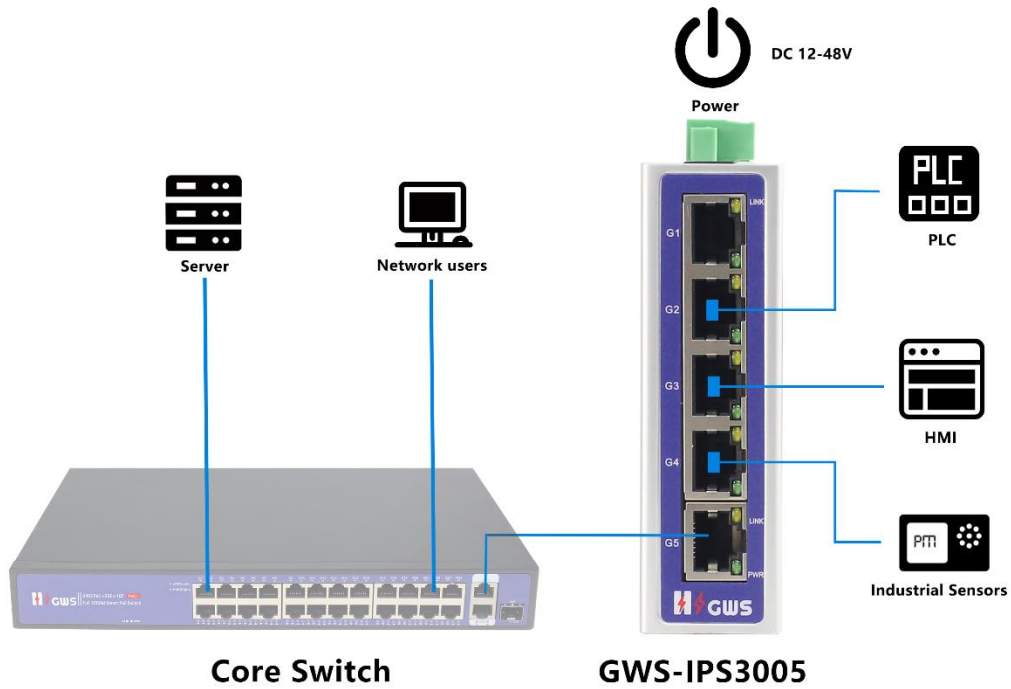
Forwarding Rate@64byte	8.93Mpps
MAC	2K
Buffer Memory	2Mb
Jumbo Frame	9216B
LED Indicator	Power: PWR (Green), Network: LinkG1-G5(Yellow)
<b>Power Supply</b>	
Working Voltage	12-48VDC, 3P industrial phoenix terminal+DC5521 Jack, support anti-reverse protection
Power Consumption	Standby<3W, Full load<5W
Power Supply	Self-purchased, optional 24V/24W industrial power supply or desktop power supply
<b>Physical Parameter</b>	
Operation TEMP / Humidity	-40°C~+75°C, 5%~90% RH Non condensing
Storage TEMP / Humidity	-40°C~+85°C, 5%~95% RH Non condensing
Dimension (L*W*H)	98*88*30mm
Net /Gross Weight	<0.2kg / <0.3kg
Installation	Desktop, DIN rail
<b>Certification &amp; Warranty</b>	
Lightning Protection	Protection level: IP30 Lightning protection: 6KV 8/20us IEC61000-4-3 (RS):10V/m (80~1000MHz) FCC Part 15/ CISPR22 (EN55022): Class B IEC61000-6-2 (Common Industrial Standard) IEC61000-4-9 (Pulsed magnet field):1000A/m IEC61000-4-10 (Damped oscillation): 30A/m, 1MHz IEC61000-4-12/18 (Shockwave): CM 2.5kV, DM 1kV

	<p>IEC61000-4-4 (EFT): Power cable: <math>\pm 4\text{kV}</math>, Data cable: <math>\pm 2\text{kV}</math></p> <p>IEC61000-4-16 (Common-mode transmission): 30V, 300V, 1s</p> <p>IEC61000-4-2 (ESD): <math>\pm 8\text{kV}</math> contact discharge, <math>\pm 15\text{kV}</math> air discharge</p> <p>IEC61000-4-6 (Radio frequency transmission): 10V(150kHz~80MHz)</p> <p>IEC61000-4-8 (Power frequency magnetic field): 100A/m, 1000A/m, 1s to 3s</p> <p>IEC61000-4-5 (Surge): Power cable: CM<math>\pm 4\text{kV}</math>/ DM<math>\pm 2\text{kV}</math>, Data cable: <math>\pm 4\text{kV}</math></p>
Mechanical Properties	<p>IEC60068-2-6 (Anti vibration)</p> <p>IEC60068-2-32 (Free fall), IEC60068-2-27 (Anti shock)</p>
Certification	<p>CCC, CE mark, commercial, CE/LVD EN62368-1, FCC Part 15 Class B, RoHS</p>
Warranty	<p>5 years, lifelong maintenance.</p>

## Dimension



## Application



## Ordering Information

Model	Description	Recommended Power Supply
GWS-IPS3005	Unmanaged industrial Ethernet switch with 5*10/100/1000M RJ45 ports. It can support dual DC redundant power input and DIN rail mounting.	24V/24W

**Note:** The power supply is not included by default and needs to be purchased separately.

## Packing List

Packing List	Content	Qty	Unit
	5-port full gigabit industrial Ethernet switch	1	SET
	User Guide	1	PC
	Warranty Card	1	PC

## Power Supply

Product	Model	Description	Unit
24W DIN Rail Industrial Power Supply	DP24-24	DIN Rail 24W single set of output power supply Input Voltage: AC100V~240V 50-60H, 0.35A Output Voltage: DC24V 1.0A Operation Temperature: -40°C to +70°C	PC

## Contact Us



Tel: 0086-752-3397806

WeChat: HZGWS--PoE

Email: [hzgws@hzgws.com](mailto:hzgws@hzgws.com)

Skype: [hzgws@hzgws.com](https://www.skype.com/people/hzgws@hzgws.com)

Website: [www.hzgws.com](http://www.hzgws.com)



Address: Building 3, Phase II, Xinghe Artificial Intelligence Industrial Park, No.333 Zhongkai 6th Road, Chenjiang Street, Zhongkai High-tech Zone, Huizhou