

Product Datasheet

3-port Full Gigabit Industrial Ethernet Switch

(GWS-IPS3032F-SFP)



Overview

The GWS-IPS3032F-SFP is a full gigabit industrial Ethernet fiber switch. It is designed to meet industrial fields and systems. It has 2*10/100/1000Base-T adaptive RJ45 ports and 1*1000Base-X SFP fiber port. Each port can support full line-rate forwarding.

GWS-IPS3032F-SFP industrial Ethernet switch has excellent industrial field environment adaptability (including mechanical stability, climate adaptability, electromagnetic environment adaptability, etc.), protection level up to IP30, support for dual redundant power supply, low power consumption, MTBF up to 35- year, 5-year warranty, unmanaged models, plug and play, no configuration, easy to use. It is suitable for industrial scenes such as intelligent transportation, rail transit, electric power, mining, metallurgy and green energy construction to form a cost-effective and stable communication network.

Feature

■ Gigabit wire-speed access, Gigabit uplink SFP port

- ◇ Support non-blocking wire-speed forwarding.
- ◇ Support full-duplex based on IEEE802.3x and half-duplex based on Backpressure.
- ◇ A combination of Gigabit Ethernet port and Gigabit SFP port to meet the networking requirements of various scenarios.

■ Stable and reliable

- ◇ CCC, CE, FCC, RoHS.
- ◇ The user-friendly panel can show the device status through the LED indicator of PWR, Link.
- ◇ Low power consumption, no fan, aluminum shell, excellent heat dissipation to ensure the stable operation of the switch.

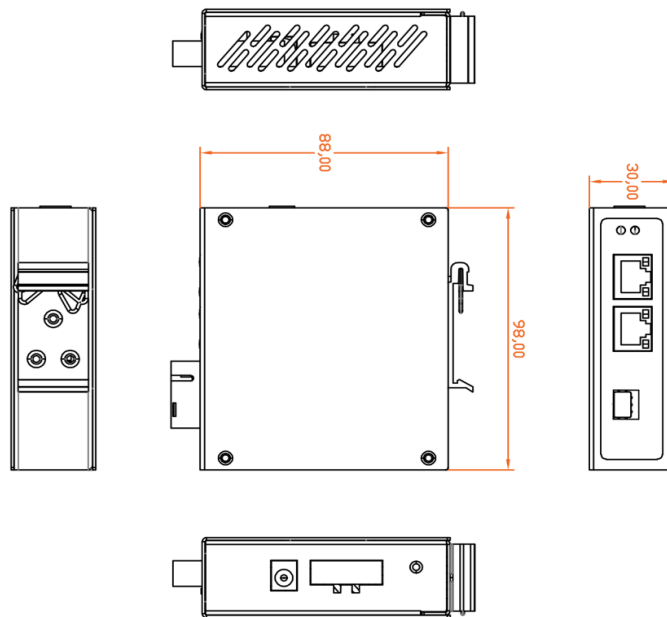
Technical Specification

Model	GWS-IPS3032F-SFP
Interface Characteristics	
Fixed Port	2*10/100/1000Base-T RJ45 ports (Data) 1*1000Base-X uplink SFP fiber port (Data) 2 groups V+, V- redundant DC power interface (5P phoenix terminal)
Ethernet Port	Port 1-2 support 10/100/1000Base-T auto-sensing, full/half duplex MDI/MDI-X self-adaption
Twisted Pair Transmission	10BASE-T: Cat3,4,5 UTP(≤100 meters) 100BASE-TX: Cat5 or later UTP(≤100 meters) 1000BASE-T: Cat5e or later UTP(≤100 meters)
SC Slot Port	Gigabit SFP optical fiber interface, default not include optical modules (optional single-mode / multi-mode, single fiber / dual fiber optical module. LC)
Optical Cable/Distance	Multi-mode: 850nm/ 0-550m, Single-mode: 1310nm/ 0-40km, 1550nm/ 0-120km.

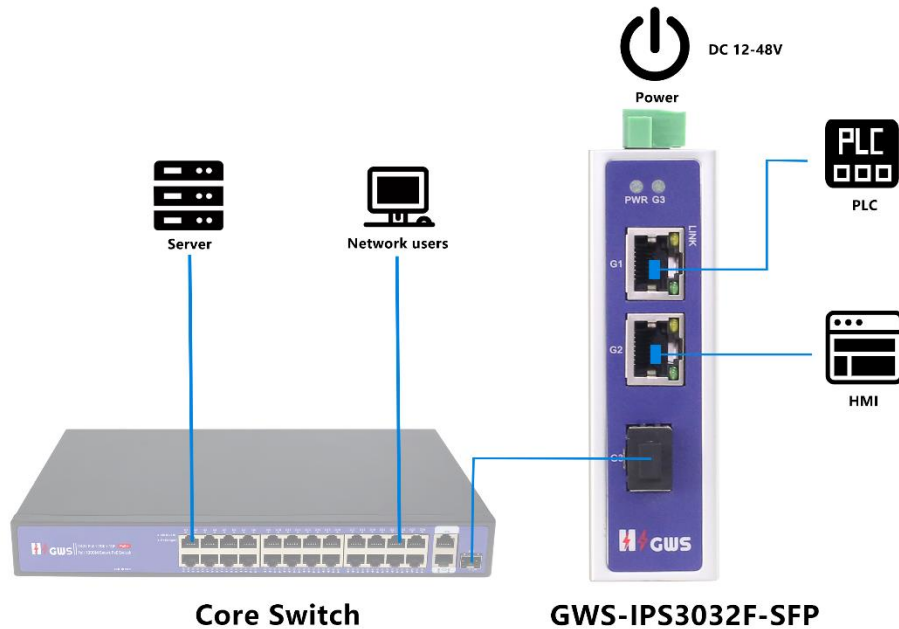
Chip Parameter	
Network Protocol	IEEE802.3 10BASE-T, IEEE802.3i 10Base-T, IEEE802.3u 100Base-TX IEEE802.3ab 1000Base-TX, IEEE802.3z 1000Base-X, IEEE802.3x
Forwarding Mode	Store and Forward(Full Wire Speed)
Switching Capacity	10Gbps
Forwarding Rate@64byte	4.46Mpps
MAC	2K
Buffer Memory	2M
Jumbo Frame	9.2K
LED Indicator	Power: PWR (Green), Network: Link (Yellow)
Power Supply	
Power Consumption	Standby<4W, Full load<6W
Operating Voltage	DC12-48V, 3P industrial Phoenix terminal, support anti-reverse protection.
Power Supply	Self-purchased, optional 24V/24W industrial power supply or desktop power supply
Physical Parameter	
Operation TEMP / Humidity	-40~+80°C, 5%~90% RH Non condensing
Storage TEMP / Humidity	-40~+85°C, 5%~95% RH Non condensing
Dimension (L*W*H)	98*88*30mm
Net /Gross Weight	<0.2kg / <0.3kg
Installation	Desktop, 35mm DIN rail
Certification & Warranty	
Lightning Protection	Lightning protection: 6KV 8/20us; Protection level: IP30 IEC61000-4-2(ESD):±8kV contact discharge,±15kV air discharge IEC61000-4-3(RS):10V/m(80~1000MHz)

	<p>IEC61000-4-4(EFT): power cable:±4kV; data cable:±2kV</p> <p>IEC61000-4-5(Surge):power cable:CM±4kV/DM±2kV; data cable:±4kV</p> <p>IEC61000-4-6(radio frequency transmission):10V(150kHz~80MHz)</p> <p>IEC61000-4-8(power frequency magnetic field):100A/m;1000A/m ,1s to 3s</p> <p>IEC61000-4-9(pulsed magnet field):1000A/m</p> <p>IEC61000-4-10(damped oscillation):30A/m 1MHz</p> <p>IEC61000-4-12/18(shockwave):CM 2.5kV,DM 1kV</p> <p>IEC61000-4-16(common-mode transmission):30V; 300V,1s</p> <p>FCC Part 15/CISPR22(EN55022):Class B</p> <p>IEC61000-6-2(Common Industrial Standard)</p>
Mechanical Properties	<p>IEC60068-2-6 (anti vibration)</p> <p>IEC60068-2-27 (anti shock)</p> <p>IEC60068-2-32 (free fall)</p>
Certification	CCC, CE mark, commercial, CE/LVD EN62368-1, FCC Part 15 Class B, RoHS
Warranty	5 years, lifelong maintenance.

Dimension



Application



Ordering Information

Model	Description	Recommended Power Supply
GWS-IPS3032 F-SFP	Unmanaged industrial Ethernet fiber switch with 2*10/100/1000M RJ45 ports and 1*1000M SFP fiber port. It can support dual DC power input and and DIN rail mounting.	12W/24W

Note: Industrial Ethernet switch does not include the power supply and SFP optical module.

Packing List

Packing List	Content	Qty	Unit
--------------	---------	-----	------

	3-port full gigabit industrial Ethernet switch	1	SET
	User Guide	1	PC
	Warranty Card	1	PC

Optical Module

Product	Model	Description	Unit
1.25G Optical Module	2630-G	Industrial SFP optical module, 1.25G, multi-mode dual fiber 850nm, transmission distance: 550m, LC interface, support DDM function, support hot plug and pull.	PC
	2632-G	Industrial SFP optical module, 1.25G, single-mode dual fiber 1310nm, transmission distance: 20km, LC interface, support DDM function, support hot plug and pull.	PC
	2612-T-G	Industrial SFP optical module, 1.25G, single-mode single fiber TX1310nm/RX1550nm, transmission distance: 20km, LC interface, support DDM function, support hot plug and pull.	PC
	2613-R-G	Industrial SFP optical module, 1.25G, single-mode single fiber TX1550nm/RX1310nm, transmission distance: 20km, LC interface, support DDM function, support hot plug and pull.	PC
	2612-T-G-SC	Industrial SFP optical module, 1.25G, single-mode single fiber TX1310nm/RX1550nm, transmission distance: 20km, SC interface, support DDM function, support hot plug and pull.	PC
	2613-R-G-SC	Industrial SFP optical module, 1.25G, single-mode single fiber TX1550nm/RX1310nm, transmission distance: 20km, SC interface, support DDM function, support hot plug and pull.	PC
Power Module	2633	1.25G SFP optical module transfers to 10/100/1000M RJ45 port.	PC

Power Supply

Product	Model	Description	Unit
24W DIN Rail Industrial Power Supply	DP24-24	Din Rail 24W single set of output power supply Input Voltage: AC100V~240V 50-60Hz, 0.35A Output Voltage: DC24V 1.0A Operation Temperature: -40°C to 70°C	PC

Contact Us



Tel: 0086-752-3397806

WeChat: HZGWS--PoE

Email: hzgws@hzgws.com

Skype: [hzgws@hzgws.com](https://www.skype.com/people/hzgws@hzgws.com)

Website: www.hzgws.com



Address: Building 3, Phase II, Xinghe Artificial Intelligence Industrial Park, No.333

Zhongkai 6th Road, Chenjiang Street, Zhongkai High-tech Zone, Huizhou