

Product Datasheet

6-port Full Gigabit Industrial PoE Switch

(GWS-IPS3064P)



Overview

The GWS-IPS3064P is a full Gigabit industrial PoE switch. It has 6*10/100/1000M adaptive RJ45 ports. Ports 1-4 support IEEE802.3af/at PoE standard, and the single-port PoE power reaches 30W. As a PoE power supply device, it can automatically detect and identify standard powered devices and supply power to them through network cables. It can supply power to POE terminal equipment such as wireless AP, IP camera, industrial sensor, etc. through the network cable. It meets the network environment that requires high-density PoE power supply. The switch is suitable for intelligent transportation, rail transit, power industry, mining, petroleum, shipping, metallurgy and Industrial scenarios such as green energy construction build cost-effective, stable, and reliable communication networks.

Unmanaged model, plug and play, no need to configure, easy to use.

Feature

■ Gigabit wire speed forwarding

- ◇ Support non-blocking wire-speed forwarding.
- ◇ Support full-duplex based on IEEE802.3x and half-duplex based on backpressure.
- ◇ Support full gigabit Ethernet ports, high speed and high bandwidth connection to meet the needs of various scenarios.

■ Intelligent PoE power supply

- ◇ IEEE802.3af/at PoE standard, without damaging non-PoE devices.
- ◇ 4*10/100/1000Base-T RJ45 ports, meeting the needs of security monitoring, teleconferencing system, wireless coverage, and other scenarios.
- ◇ Priority system for PoE port, it will supply power to the high priority level port first when the power budget is insufficient and avoid overwork of the device.

■ Stable and reliable

- ◇ CCC, CE, FCC, RoHS.
- ◇ Low power consumption, No fan, aluminum casing.
- ◇ The user-friendly panel can show the device status through the LED indicator of PWR, Link, L/A, PoE.

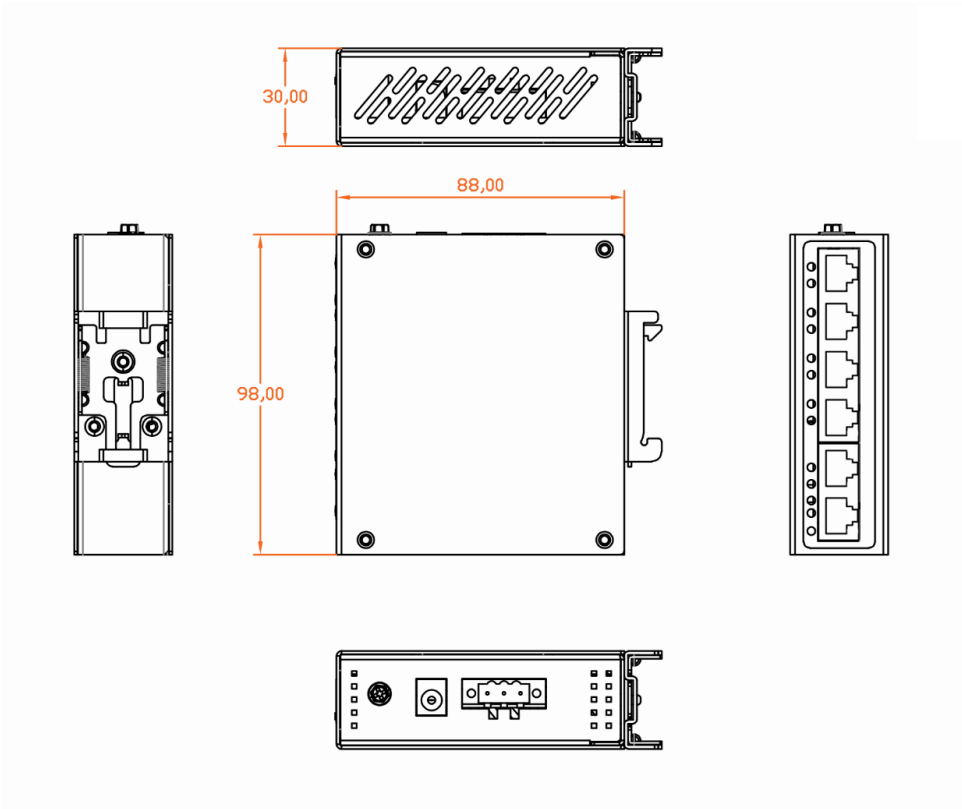
Technical Specification

Model	GWS-IPS3064P
Interface Characteristics	
Fixed Port	4*10/100/1000Base-T PoE ports (Data/Power) 2*10/100/1000Base-T uplink RJ45 ports(Data) 2 set of V+, V- redundant DC power interface (3P Phoenix terminal+DC5521 Jack)
Ethernet Port	Port 1-6 support 10/100/1000Base-T auto-sensing, full/half duplex MDI/MDI-X

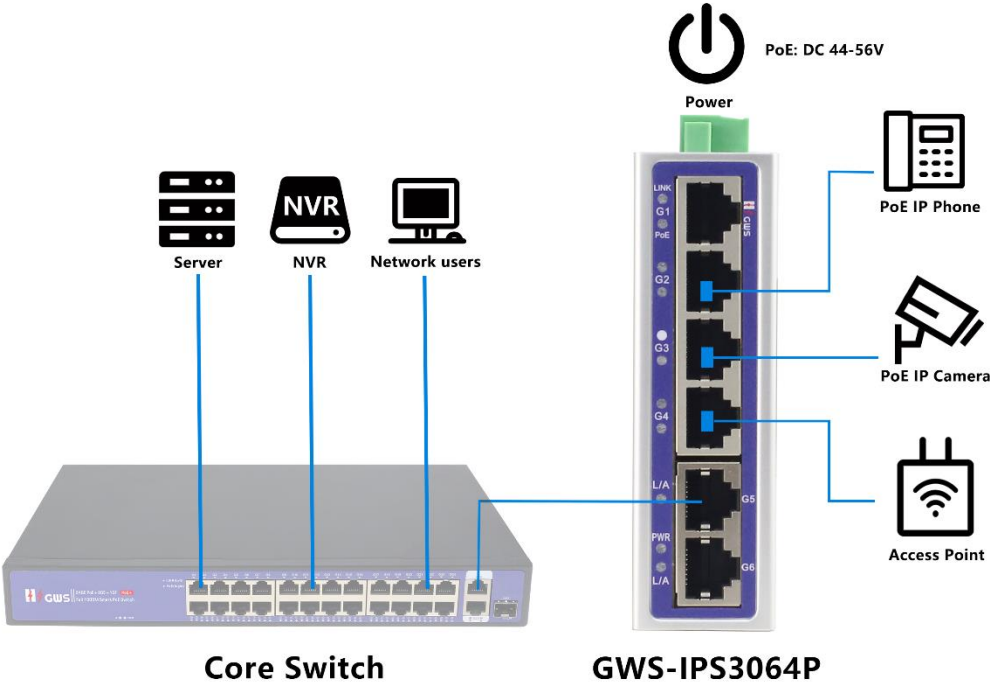
	self-adaption
Twisted Pair Transmission	10BASE-T: Cat3,4,5 UTP(≤ 100 meters) 100BASE-TX: Cat5 or later UTP(≤ 100 meters) 1000BASE-T: Cat5e or later UTP(≤ 100 meters)
Chip Parameter	
Network Protocol	IEEE802.3 10BASE-T, IEEE802.3i 10Base-T IEEE802.3u 100Base-TX, IEEE802.3ab 1000Base-T, IEEE802.3x
Forwarding Mode	Store and Forward(Full Wire Speed)
Switching Capacity	16Gbps
Forwarding Rate@64byte	8.93Mpps
MAC	8K
Buffer Memory	2Mb
Jumbo Frame	9.2KB
LED Indicator	Power: PWR (Green), Network: Link G1-G6(Green), POE: PoE G1-G4(Green),
PoE & Power Supply	
PoE Port	Port 1 to 4 IEEE802.3af/at
Power Supply Pin	1/2(+) 3/6 (-)
Max Power Per Port	30W, IEEE802.3af/at
Power Consumption	Standby:<5W, Full load:af/ at ≤ 120 W
Power Supply	Self-purchased, optional 48V/60W or 48V/120W industrial power supply or desktop power supply
Working Voltage	DC44-56V, 3P industrial Phoenix terminal+DC5521 Jack, support anti-reverse protection,short circuit protection,overcurrent protection.
Physical Parameter	
Operation TEMP/ Humidity	-40~+75°C, 5%~90% RH Non condensing
Storage TEMP/ Humidity	-40~+85°C, 5%~95% RH Non condensing

Dimension	98*88*30mm
Net /Gross Weight	<0.2kg / <0.3 kg
Installation	Desktop, DIN rail
Certification & Warranty	
Lightning Protection	<p>Lightning protection: 6KV 8/20us; Protection level: IP30</p> <p>IEC61000-4-2(ESD): ±8kV contact discharge,±15kV air discharge</p> <p>IEC61000-4-3(RS):10V/m(80~1000MHz)</p> <p>IEC61000-4-4(EFT): power cable:±4kV; data cable: ±2kV</p> <p>IEC61000-4-5(Surge): power cable:CM±4kV/DM±2kV; data cable: ±4kV</p> <p>IEC61000-4-6(radio frequency transmission):10V(150kHz~80MHz)</p> <p>IEC61000-4-8(power frequency magnetic field):100A/m;1000A/m ,1s to 3s</p> <p>IEC61000-4-9(pulsed magnet field): 1000A/m</p> <p>IEC61000-4-10(damped oscillation): 30A/m 1MHz</p> <p>IEC61000-4-12/18(shockwave):CM 2.5kV, DM 1kV</p> <p>IEC61000-4-16(common-mode transmission) :30V; 300V,1s</p> <p>FCC Part 15/CISPR22(EN55022): Class B</p> <p>IEC61000-6-2(Common Industrial Standard)</p>
Mechanical Properties	<p>IEC60068-2-32 (free fall)</p> <p>IEC60068-2-27 (anti shock)</p> <p>IEC60068-2-6 (anti vibration)</p>
Certification	CCC, CE mark, commercial, CE/LVD EN62368-1, FCC Part 15 Class B, RoHS
Warranty	5 years, lifelong maintenance.

Dimension



Application



Ordering Information

Model	Description	Recommended Power Supply
GWS-IPS3064P	Unmanaged industrial PoE switch with 6*10/100/1000M RJ45 ports. Port 1-4 can support IEEE802.3af/at PoE standard. It can support dual DC power input and DIN rail mounting.	60W/120W

Note: Industrial PoE switch do not include power supply by default.

Packing List

	Content	Qty	Unit
Packing List	6-port full gigabit industrial PoE switch	1	SET
	User Guide	1	PC
	Warranty Card	1	PC

Power Supply

Product	Model	Description	Unit
65W Desktop Power Adapter	AP65-52	Desktop 65W single set of output power adapter Input Voltage: AC100V~240V 50-60Hz, 1.1A Output Voltage: DC52V 1.25A Operation Temperature: -20°C to +65°C	PC
110W Desktop Power Adapter	AP110-52	Desktop 110W single set of output power adapter Input Voltage: AC100V~240V 50-60Hz, 2.0A Output Voltage: DC52V 2.0A Operation Temperature: -20°C to +65°C	PC
60W DIN Rail Industrial Power	DP60-48	Din Rail 60W single set of output power supply Input Voltage: AC100V~240V 50-60Hz,1.0A	PC

Supply		Output Voltage: DC48V 1.25A Operation Temperature:-40°C to +70°C	
120W DIN Rail Industrial Power Supply	DP120-48	Din Rail 120W single set of output power supply Input Voltage:AC100V~240V 50-60Hz,1.5A Output Voltage: DC48V 2.5A Operation Temperature:-40°C to +70°C	PC

Contact Us



Tel: 0086-752-3397806

WeChat: HZGWS--PoE

Email: hzgws@hzgws.com

Skype: [hzgws@hzgws.com](https://www.skype.com/people/hzgws@hzgws.com)

Website: www.hzgws.com



Address: Building 3, Phase II, Xinghe Artificial Intelligence Industrial Park, No.333 Zhongkai 6th Road, Chenjiang Street, Zhongkai High-tech Zone, Huizhou