

Product Datasheet

3-port 10/100M Industrial PoE Fiber Switch

(GWS-IPS1032PF)



Overview

The GWS-IPS1032PF is a 10/100M industrial PoE fiber switch. It has 2*10/100M RJ45 ports and 1*155M SC fiber port. Port 1-2 can support IEEE802.3af/at PoE standard. Single-port PoE power is 30W. As a PoE power supply device, it can automatically detect and recognize power-compliant devices that meet the standard and supply power through the network cable. It can supply power to POE terminal equipment such as wireless AP, webcam, VoIP, and industrial sensors through the network cable, and meet the network environment that needs a high-density PoE power supply. It is suitable for intelligent transportation, rail transit, power industry, mining, petroleum, maritime, metallurgy, and Industrial scenarios such as green energy construction build cost-effective, stable, and reliable communication networks.

Unmanaged model, plug and play, no configuration, easy to use.

Feature

■ 10/100M RJ45 and SC port, fast Ethernet

- ◇ Support non-blocking wire-speed forwarding.
- ◇ Support full-duplex based on IEEE802.3x and half-duplex based on Backpressure.
- ◇ Support 10/100M RJ45 port and 155M SC fiber port combination, which enables users to flexibly build networking to meet the needs of various scenarios.

■ Intelligent PoE power supply

- ◇ IEEE802.3af/at PoE standard, without damaging non-PoE devices.
- ◇ 2*10/100Base-TX RJ45 ports, meeting the needs of security monitoring, teleconferencing system, wireless coverage, and other scenarios.
- ◇ Priority system for PoE port, it will supply power to the high priority level port first when the power budget is insufficient and avoid overwork of the device.

■ Stable and reliable

- ◇ CCC,CE, FCC, RoHS.
- ◇ Low power consumption, No fan, aluminum shell.
- ◇ The user-friendly panel can show the device status through the LED indicator of PWR, Link, PoE.

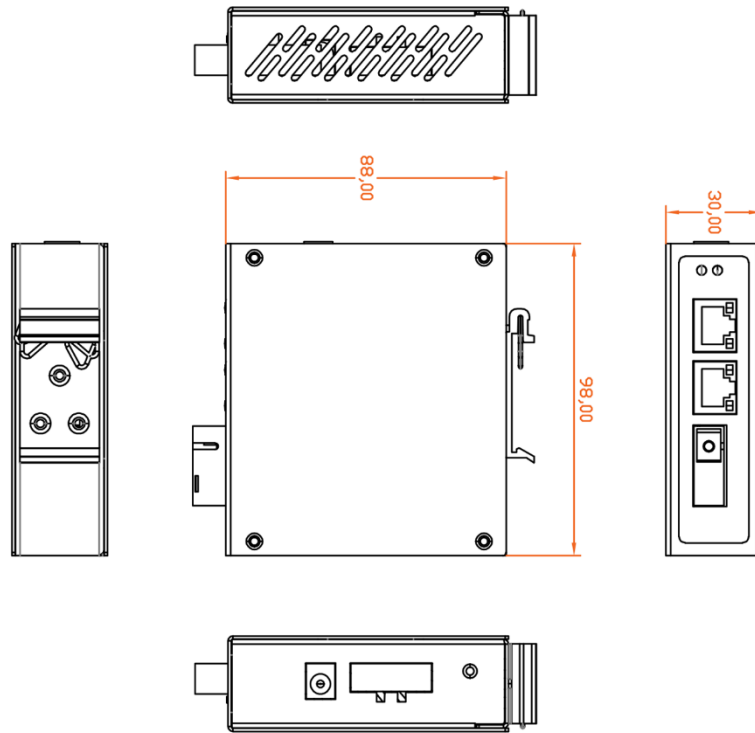
Technical Specification

Model	GWS-IPS1032PF
Interface Characteristics	
Fixed Port	1*155M SC fiber port(Data) 2*10/100Base-TX PoE ports (Data/Power) 2 set of V+, V- redundant DC power interface (3P Phoenix terminal+DC5521 Jack)
Ethernet Port	Port 1 to 2 support 10/100Base-TX auto-sensing, full/half duplex MDI/MDI-X self-adaption
Twisted Pair	10BASE-T: Cat3,4,5 UTP(≤100 meter)

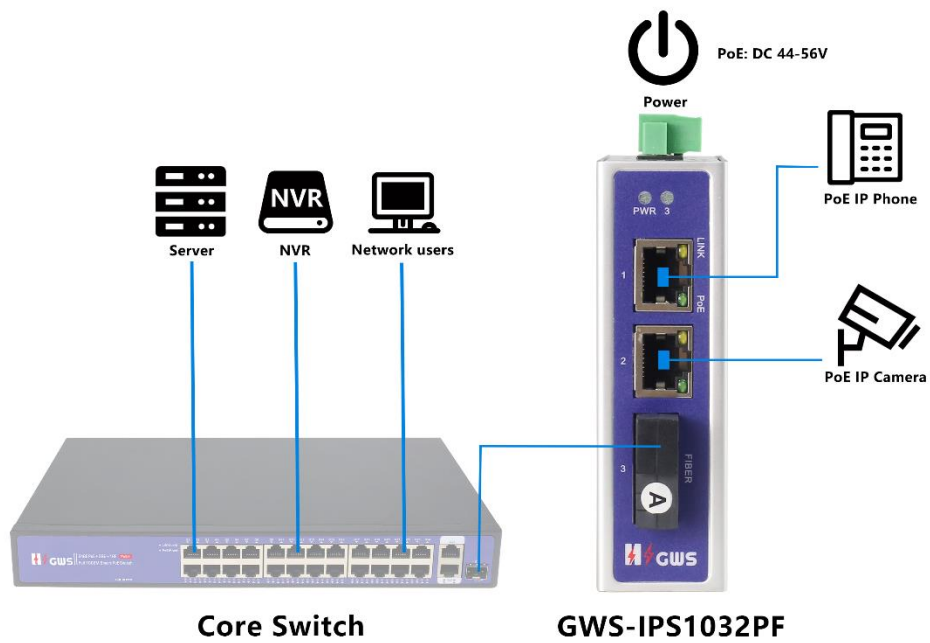
Transmission	100BASE-TX: Cat5 or later UTP(≤ 100 meter)
Fiber Port	Default single-mode dual fiber 20km, SC interface. (optional single-mode single fiber/multi-mode dual fiber optical module)
Optical Cable/ Distance	Multi-mode: 850nm/ 0-500m, 1310nm/ 0-2km, Single-mode: 1310nm/ 0-40km, 1550nm/ 0-120km.
Chip Parameter	
Network Protocol	IEEE802.3 10BASE-T, IEEE802.3i 10Base-T IEEE802.3u 100Base-TX, IEEE802.3u 100Base-FX, IEEE802.3x
Forwarding Mode	Store and Forward(Full Wire Speed)
Switching Capacity	1.0Gbps (no-blocking)
Forwarding Rate@64byte	0.45Mpps
MAC	2K
Buffer Memory	512Kb
Jumbo Frame	2048B
LED Indicator	Power: PWR (Green), Network: Link1-2 (Yellow), PoE: PoE1-2 (Green) Fiber port: 3 (Green)
PoE & Power Supply	
PoE Port	Port 1 to 2, IEEE802.3af/at
Power Supply Pin	Default 1/2 (+) 3/6 (-)
Max Power Per Port	30W, IEEE802.3af/at
Power Consumption	Standby<1W, Full load af/at ≤ 60 W
Operating Voltage	DC44-56V, 3P industrial Phoenix terminal+DC5521 Jack, support anti-reverse protection,short circuit protection,overcurrent protection.
Power Supply	Self-purchased, optional 48V/36W or 48V/60W industrial power supply or desktop power supply
Physical Parameter	
Operation TEMP /	-40~+75°C, 5%~90% RH Non condensing

Humidity	
Storage TEMP / Humidity	-40~+85°C, 5%~95% RH Non condensing
Dimension (L*W*H)	98*88*30mm
Net /Gross Weight	<0.2kg / <0.3kg
Installation	Desktop, 35mm DIN rail
Certification & Warranty	
Lightning Protection	<p>Lightning protection: 6KV 8/20us; Protection level: IP30</p> <p>IEC61000-4-2(ESD):±8kV contact discharge,±15kV air discharge</p> <p>IEC61000-4-3(RS):10V/m(80~1000MHz)</p> <p>IEC61000-4-4(EFT): power cable:±4kV; data cable:±2kV</p> <p>IEC61000-4-5(Surge):power cable:CM±4kV/DM±2kV; data cable:±4kV</p> <p>IEC61000-4-6(radio frequency transmission):10V(150kHz~80MHz)</p> <p>IEC61000-4-8(power frequency magnetic field):100A/m;1000A/m ,1s to 3s</p> <p>IEC61000-4-9(pulsed magnet field):1000A/m</p> <p>IEC61000-4-10(damped oscillation):30A/m 1MHz</p> <p>IEC61000-4-12/18(Shockwave):CM 2.5kV,DM 1kV</p> <p>IEC61000-4-16(common-mode transmission):30V; 300V,1s</p> <p>FCC Part 15/CISPR22(EN55022):Class B</p> <p>IEC61000-6-2(Common Industrial Standard)</p>
Mechanical Properties	<p>IEC60068-2-6 (anti vibration)</p> <p>IEC60068-2-27 (anti shock)</p> <p>IEC60068-2-32 (free fall)</p>
Certification	CCC, CE mark, commercial, CE/LVD EN62368-1, FCC Part 15 Class B RoHS
Warranty	5 years, lifelong maintenance.

Dimension



Application



Ordering Information

Model	Description	Power Supply
GWS-IPS1032PF	Unmanaged industrial PoE fiber switch with 2*10/100M PoE ports and 1*155M uplink SC fiber port. Port 1-2 support IEEE802.3af/at PoE standard. Default SC port 1310nm/20km single-mode dual fiber optical module. It can support dual DC redundant power input (Phoenix terminal connection) and DIN rail mounting.	36W/60W
GWS-IPS1032PF -M	Unmanaged industrial PoE fiber switch with 2*10/100M PoE ports and 1*155M uplink SC fiber port. Port 1-2 support IEEE802.3af/at PoE standard. Default SC port 850nm/0.5km,1310nm/2km multi-mode dual fiber optical module. It can support dual DC redundant power input (Phoenix terminal connection) and DIN rail mounting.	36W/60W
GWS-IPS1032PF -A	Unmanaged industrial PoE fiber switch with 2*10/100M PoE ports and 1*155M uplink SC fiber port. Port 1-2 support IEEE802.3af/at PoE standard. Default SC port 1310nm/20km single-mode single fiber optical module. It can support dual DC redundant power input (Phoenix terminal connection) and DIN rail mounting.	36W/60W
GWS-IPS1032PF -B	Unmanaged industrial PoE fiber switch with 2*10/100M PoE ports and 1*155M uplink SC fiber port.. Port 1-2 support IEEE802.3af/at PoE standard. Default SC port 1550nm/20km single-mode single fiber optical module. It can support dual DC redundant power input (Phoenix terminal connection) and and DIN rail mounting.	36W/60W
Note: The power supply is not included, and needs to be purchased separately		

Packing List

PACKING LIST	CONTENT	QTY	UNIT
	3-port 10/100M industrial PoE fiber switch	1	SET
	User Guide	1	PC
	Warranty Card	1	PC

Power Supply

Product	Model	Description	Unit
36W Desktop Power Adaptor	AP36-52	Desktop 36W single set of output power adapter Input Voltage:AC 100V~240V 50-60Hz, 0.56A Output Voltage:DC 52V 0.7A Operation Temperature:-20°C—+65°C	PC
65W Desktop Power Adaptor	AP65-52	Desktop 65W single set of output power adapter Input Voltage:AC 100V~240V 50-60Hz,1.1A Output Voltage:DC 52V 1.25A Operation Temperature:-20°C—+65°C	PC
36W DIN Rail Industrial Power Supply	DP36-48	Din Rail 36W single set of output power supply Input Voltage:AC 100V~240V 50-60Hz,0.56A Output Voltage:DC 48V 0.75A Operation Temperature:-40°C—+70°C	PC
60W DIN Rail Industrial Power Supply	DP60-48	Din Rail 60W single set of output power supply Input Voltage:AC 100V~240V 50-60Hz,1A Output Voltage:DC 48V 1.25A Operation Temperature:-40°C—+70°C	PC



Contact Us



Tel: 0086-752-3397806

WeChat: HZGWS--PoE

Email: hzgws@hzgws.com

Skype: [hzgws@hzgws.com](https://www.skype.com/people/hzgws@hzgws.com)

Website: www.hzgws.com

Address: Building 3, Phase II, Xinghe Artificial Intelligence Industrial Park, No.333 Zhongkai 6th Road,
Chenjiang Street, Zhongkai High-tech Zone, Huizhou

