

Product Datasheet

2-port Full Gigabit Industrial PoE Fiber Switch

(GWS-IPS3021PF)



Overview

The GWS-IPS3021PF is a full gigabit industrial PoE fiber switch. It has 1*10/100/1000Base-T RJ45 ports and 1*1000Base-X SC single-mode dual fiber optical module (optional single-mode/ multi-mode, single fiber/ dual fiber optical module). Port 1 can support IEEE802.3af/at PoE standard. Single-port PoE power is 30W. As a PoE power supply device, it can automatically detect and recognize power-compliant devices that meet the standard and supply power through the network cable. It can supply power to POE terminal equipment such as wireless AP, webcam, VoIP, industrial sensor through the network cable, and meet the network environment that needs high-density PoE power supply. It is suitable for intelligent transportation, rail transit, power industry, mining, petroleum, maritime, metallurgy, and Industrial scenarios such as green energy construction build cost-effective, stable, and reliable communication networks.

Unmanaged model, plug and play, no configuration, easy to use.

Feature

■ Gigabit line speed access, Gigabit optical port uplink

- ◇ Support non-blocking wire-speed forwarding.
- ◇ Support full-duplex based on IEEE802.3x and half-duplex based on Backpressure.
- ◇ Support Gigabit Ethernet port and Gigabit SC optical port combination, which enables users to flexibly build networking to meet the needs of various scenarios.

■ Intelligent PoE power supply

- ◇ IEEE802.3af/at PoE standard, without damaging non-PoE devices.
- ◇ Priority system for PoE port, it will supply power to the high priority level port first when the power budget is insufficient and avoid overwork of the device.
- ◇ 1*10/100/1000Base-T RJ45 ports, meeting the needs of security monitoring, teleconferencing system, wireless coverage, and other scenarios.

■ Stable and reliable

- ◇ CCC,CE, FCC, RoHS.
- ◇ Low power consumption, No fan, aluminum shell.
- ◇ The user-friendly panel can show the device status through the LED indicator of PWR, Link, PoE.

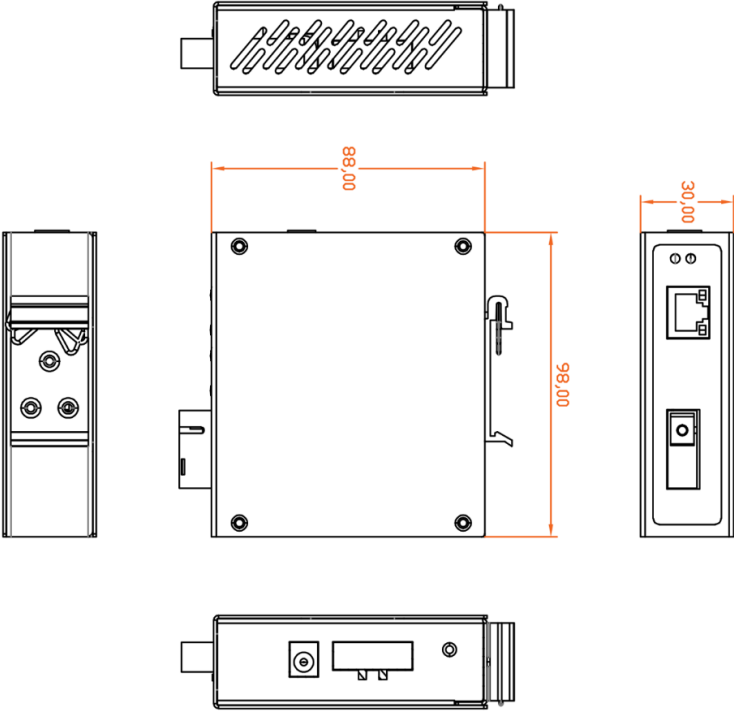
Technical Specification

Model	GWS-IPS3021PF
Interface Characteristics	
Fixed Port	1*DC5521 power socket 1*10/100/1000Base-T PoE ports (Data/Power) 1*1000Base-X single-mode dual fiber SC fiber port(Data) 2 set of V+, V- redundant DC power interface (3P Phoenix terminal+DC5521 Jack)
Ethernet Port	Port 1 support 10/100/1000Base-T(X) auto-sensing, full/half duplex MDI/MDI-X

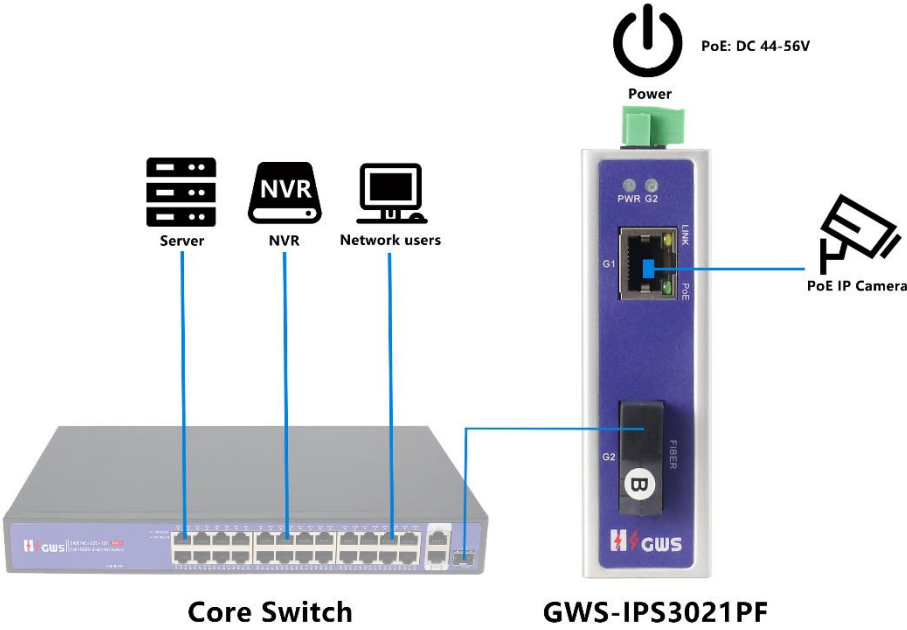
	self-adaption
Twisted Pair Transmission	10BASE-T: Cat3,4,5 UTP(≤100 meter) 100BASE-TX: Cat5 or later UTP(≤100 meter) 1000BASE-T: Cat5e or later UTP(≤100 meter)
Fiber Port	Default Gigabit single-mode dual fiber SC optical module (optional single-mode single fiber/multi-mode dual fiber optical module)
Optical Cable/ Distance	Multi-mode: 850nm/ 0 ~ 500m, Single-mode: 1310nm/0 ~ 40km, 1550nm/ 0 ~ 120km.
Chip Parameter	
Network Protocol	IEEE802.3 10BASE-T, IEEE802.3i 10Base-T, IEEE802.3u 100Base-TX IEEE802.3ab 1000Base-T, IEEE802.3z 1000Base-X, IEEE802.3x
Forwarding Mode	Store and Forward(Full Wire Speed)
Switching Capacity	12Gbps (no-blocking)
Forwarding Rate@64byte	8.93Mpps
MAC	2K
Buffer Memory	2Mb
Jumbo Frame	9216B
LED Indicator	Power: PWR (Green), Network: Link (Yellow),Fiber port:G2(Green), PoE: PoE (Green)
PoE & Power Supply	
PoE Port	Port 1, IEEE802.3af/at
Power Supply Pin	Default: 1/2 (+) 3/6 (-)
Total PWR / Input Voltage	Max 60W/44-56VDC
Power Consumption	Standby<3W, Full load<60W
Operating Voltage	DC44-56V, 3P industrial Phoenix terminal+DC5521 Jack, support anti-reverse protection,short circuit protection,overcurrent protection.

Power Supply	Self-purchased, optional 48V/36W or 48V/60W industrial power supply or desktop power supply
Physical Parameter	
Operation TEMP / Humidity	-40~+75°C, 5%~90% RH Non condensing
Storage TEMP / Humidity	-40~+85°C, 5%~95% RH Non condensing
Dimension (L*W*H)	98*88*30mm
Net /Gross Weight	<0.2kg / <0.3kg
Installation	Desktop, 35mm DIN rail
Certification & Warranty	
Lightning Protection	<p>Lightning protection: 6KV 8/20us; Protection level: IP30</p> <p>IEC61000-4-2(ESD):±8kV contact discharge,±15kV air discharge</p> <p>IEC61000-4-3(RS):10V/m(80~1000MHz)</p> <p>IEC61000-4-4(EFT): power cable:±4kV; data cable:±2kV</p> <p>IEC61000-4-5(Surge):power cable:CM±4kV/DM±2kV; data cable:±4kV</p> <p>IEC61000-4-6(radio frequency transmission):10V(150kHz~80MHz)</p> <p>IEC61000-4-8(power frequency magnetic field):100A/m;1000A/m ,1s to 3s</p> <p>IEC61000-4-9(pulsed magnet field):1000A/m</p> <p>IEC61000-4-10(damped oscillation):30A/m 1MHz</p> <p>IEC61000-4-12/18(Shockwave):CM 2.5kV,DM 1kV</p> <p>IEC61000-4-16(common-mode transmission):30V; 300V,1s</p> <p>FCC Part 15/CISPR22(EN55022):Class B</p> <p>IEC61000-6-2(Common Industrial Standard)</p>
Mechanical Properties	<p>IEC60068-2-6 (anti vibration)</p> <p>IEC60068-2-27 (anti shock)</p> <p>IEC60068-2-32 (free fall)</p>
Certification	CCC, CE mark, commercial, CE/LVD EN62368-1, FCC Part 15 Class B RoHS
Warranty	5 years, lifelong maintenance.

Dimension



Application



Ordering Information

Model	Description	Power Supply
GWS-IPS3021PF	Unmanaged industrial PoE fiber switch with 1*10/100/1000M PoE ports and 1*1000M SC port, Port 1 can support PoE IEEE802.3af/at. By default, the SC port 1310nm/20km single-mode dual-fiber module is configured. It can support dual DC redundant power input (Phoenix terminal +DC Jack connection) and rail mounting.	20W/36W
GWS-IPS3021PF -M	Unmanaged industrial PoE fiber switch with 1*10/100M PoE ports and 1*155M SC port, Port 1 can support PoE IEEE802.3af/at. By default, the SC port 850nm/0.5km or 1310nm/2km multi-mode dual fiber module is configured. It can support dual DC redundant power input (Phoenix terminal +DC Jack connection) and support rail mounting.	20W/36W
GWS-IPS3021PF -A	Unmanaged industrial PoE fiber switch with 1*10/100M PoE ports and 1*155M uplink SC port . Port 1 can support IEEE 802.3af/at. By default, the SC port 1310nm/20km single-mode single-fiber module is configured. It can support dual DC redundant power input (Phoenix terminal +DC Jack connection) and support rail mounting.	20W/36W
GWS-IPS3021PF -B	Unmanaged industrial PoE fiber switch with 1*10/100M PoE ports and 1*155M uplink SC port . Port 1 can support IEEE 802.3af/at. By default, the SC port 1550nm/20km single-mode single-fiber module is configured. It can support dual DC redundant power input (Phoenix terminal +DC Jack connection) and support rail mounting.	20W/36W

Note: The power supply is not included, and needs to be purchased separately

Packing List

PACKING LIST	CONTENT	QTY	UNIT
	2-port full gigabit industrial PoE fiber switch	1	SET
	User Guide	1	PC
	Warranty Card	1	PC

Power Supply

Product	Model	Description	Unit
36W Desktop Power Adaptor	AP36-52	Desktop tape 36W single set of output power adapter; Input Voltage:AC 100V~240V 50-60Hz, 0.56A Output Voltage:DC 52V 0.7A Operation Temperature:-20°C—+65°C	PC
65W Desktop Power Adaptor	AP65-52	Desktop tape 65W single set of output power adapter; Input Voltage:AC 100V~240V 50-60Hz,1.1A Output Voltage:DC 52V 1.25A Operation Temperature:-20°C—+65°C	PC
36W DIN Rail Industrial Power Supply	DP36-48	Din Rail type 36W single set of output power supply; Input Voltage:AC 100V~240V 50-60Hz,0.56A Output Voltage:DC 48V 0.75A Operation Temperature:-40°C—+70°C	PC
60W DIN Rail Industrial Power Supply	DP60-48	Din Rail type 60W single set of output power supply; Input Voltage:AC 100V~240V 50-60Hz,1A Output Voltage:DC 48V 1.25A Operation Temperature:-40°C—+70°C	PC

Contact Us



Tel: 0086-752-3397806

WeChat: HZGWS--PoE

Email: hzgws@hgzws.com

Skype: [hzgws@hgzws.com](https://www.skype.com/people/hzgws@hgzws.com)

Website: www.hzgws.com

Address: Building 3, Phase II, Xinghe Artificial Intelligence Industrial Park, No.333 Zhongkai 6th Road, Chenjiang Street, Zhongkai High-tech Zone, Huizhou

