

## Product Datasheet

# 6-port Full Gigabit Industrial PoE Fiber Switch

(GWS-IPS3064PF)



## Overview

The GWS-IPS3064PF is a full gigabit industrial PoE fiber switch. It has 4\*10/100/1000Base-T RJ45 ports and 2\*1000Base-X SFP fiber slot ports. Port 1-4 can support IEEE802.3af/at PoE standard, single-port PoE power up to 30W. As a PoE power supply device, it can automatically detect and recognize the power receiving equipment that meets the standard and supply power through the network cable. It can supply power to PoE terminal device such as wireless AP, IP camera, industrial sensor through the network cable, and meet the network environment that needs high-density PoE power supply. It is suitable for intelligent transportation, rail transit, power industry, mining, petroleum, sea transportation. Industrial scenes such as metallurgy and green energy construction form a cost-effective, stable and reliable communication network.

## Feature

### ■ Gigabit Ethernet port access, uplink gigabit dual SFP port

- ◇ Dual SFP fiber ports can cascade, chain, compatible with SFP module connection.
- ◇ Uplink gigabit dual SFP fiber ports, easy to achieve high bandwidth and long-distance transmission.

### ■ Intelligent PoE power supply

- ◇ IEEE802.3af/at PoE standard, without damaging non-PoE devices.
- ◇ 4\*10/100/1000Base-T RJ45 ports, meeting the needs of security monitoring, teleconferencing system, wireless coverage, and other scenarios.
- ◇ Priority system for PoE port, it will supply power to the high priority level port first when the power budget is insufficient and avoid overwork of the device.

### ■ Stable and reliable

- ◇ CCC,CE, FCC, RoHS.
- ◇ Low power consumption, No fan, aluminum casing.
- ◇ The user-friendly panel can show the device status through the LED indicator of PWR, SYS, Link, L/A, PoE.

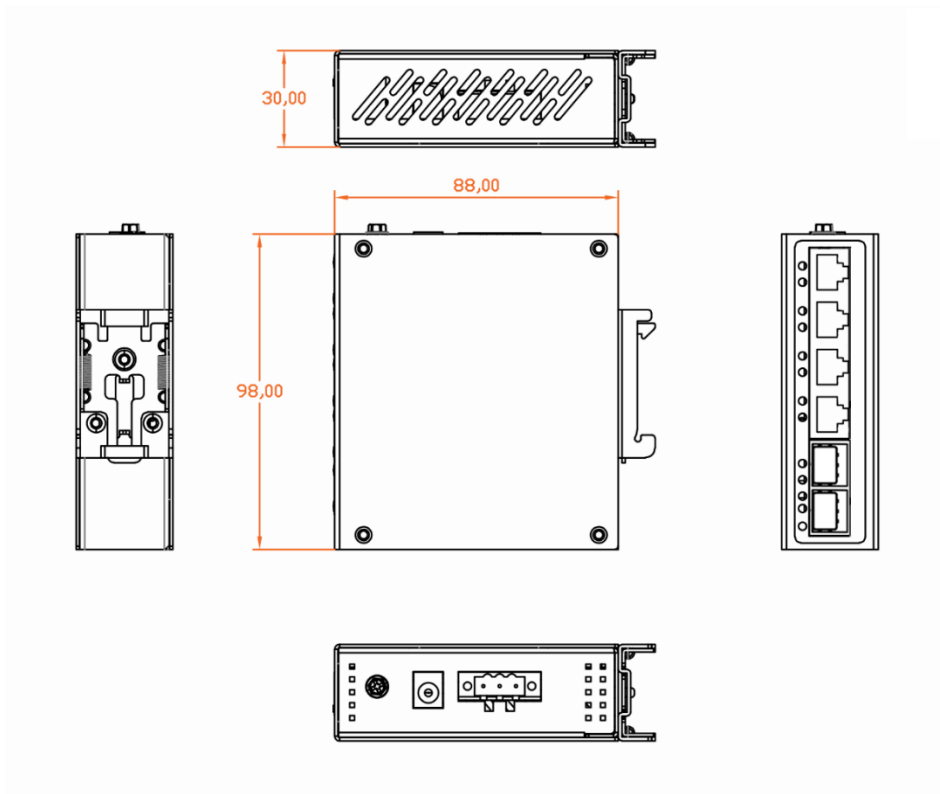
## Technical Specification

Model	GWS-IPS3064PF
<b>Interface Characteristics</b>	
Fixed Port	1*DC5521 power socket 4*10/100/1000Base-T PoE ports (Data/Power) 2*1000Base-X uplink SFP slot ports(Data) 1 set of V+, V- redundant DC power interface (3P Phoenix terminal DC5521 Jack)
Ethernet Port	Port 1-4 support 10/100/1000Base-T auto-sensing, Full/half duplex MDI/MDI-X self-adaption

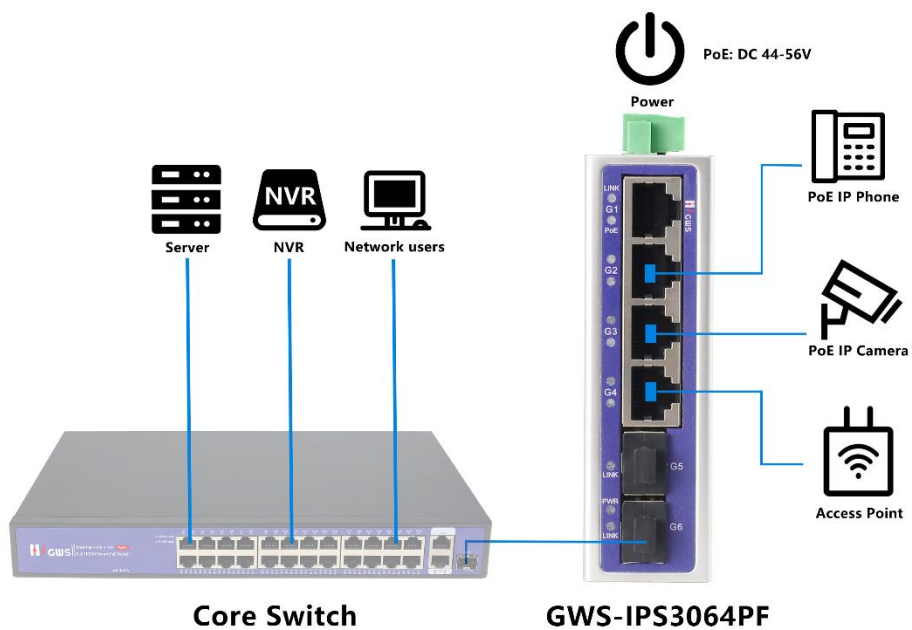
Twisted Pair Transmission	10BASE-T: Cat3,4,5 UTP( $\leq 100$ meter) 100BASE-TX: Cat5 or later UTP( $\leq 100$ meter) 1000BASE-T: Cat5e or later UTP( $\leq 100$ meter)
Fiber Port	Gigabit SFP optical fiber port, default no include optical modules (optional order single-mode / multi-mode, single fiber / dual fiber optical module. LC)
Optical Cable	Multi-mode: 850nm/0-550M, Single-mode: 1310nm/0 -40KM, 1550nm/0-120KM.
<b>Chip Parameter</b>	
Network Protocol	IEEE802.3 10BASE-T, IEEE802.3i 10Base-T, IEEE802.3u 100Base-TX IEEE802.3ab 1000Base-T, IEEE802.3z 1000Base-X, IEEE802.3x
Forwarding Mode	Store and Forward(Full Wire Speed)
Switching Capacity	12Gbps
Forwarding Rate@64byte	8.93Mpps
MAC	2K
Buffer Memory	2Mb
Jumbo Frame	9.2KB
LED Indicator	Power: PWR (Green), Network: LinkG1-G4, (Green), POE: PoEG1-G4 (Green), Fiber port: G5/G6 (Green)
<b>PoE &amp; Power</b>	
PoE Port	Port 1 to 4 IEEE802.3af/at @ POE
Power Supply Pin	1/2 (+) 3/6 (-)
Max Power Per Port	30W, IEEE802.3af/at
Power Consumption	Standby:<5W, Full load:af/at $\leq 120$ W
Power Supply	Self-purchased, optional 48V/60W or 48V/120W industrial power supply or desktop power supply
Working Voltage	DC44-56V, 3P industrial Phoenix terminal+DC5521 Jack, support anti-reverse protection,short circuit protection,overcurrent protection.

Physical Parameter	
Operation TEMP / Humidity	-40~+75°C, 5%~90% RH Non condensing
Storage TEMP / Humidity	-40~+85°C, 5%~95% RH Non condensing
Dimension (L*W*H)	98*88*30mm
Net /Gross Weight	<0.2kg / <0.3 kg
Installation	Desktop, 35mm DIN rail
Certification & Warranty	
Lightning Protection	<p>Lightning protection: 6KV 8/20us; Protection level: IP30</p> <p>IEC61000-4-2(ESD):±8kV contact discharge,±15kV air discharge</p> <p>IEC61000-4-3(RS):10V/m(80~1000MHz)</p> <p>IEC61000-4-4(EFT): power cable:±4kV; data cable:±2kV</p> <p>IEC61000-4-5(Surge):power cable:CM±4kV/DM±2kV; data cable:±4kV</p> <p>IEC61000-4-6(radio frequency transmission):10V(150kHz~80MHz)</p> <p>IEC61000-4-8(power frequency magnetic field):100A/m;1000A/m ,1s to 3s</p> <p>IEC61000-4-9(pulsed magnet field):1000A/m</p> <p>IEC61000-4-10(damped oscillation):30A/m 1MHz</p> <p>IEC61000-4-12/18(shockwave):CM 2.5kV,DM 1kV</p> <p>IEC61000-4-16(common-mode transmission):30V; 300V,1s</p> <p>FCC Part 15/CISPR22(EN55022):Class A</p> <p>IEC61000-6-2(Common Industrial Standard)</p>
Mechanical Properties	<p>IEC60068-2-6 (anti vibration)</p> <p>IEC60068-2-27 (anti shock)</p> <p>IEC60068-2-32 (free fall)</p>
Certification	CCC, CE mark, commercial, CE/LVD EN62368-1, FCC Part 15 Class B, RoHS
Warranty	5 years, lifelong maintenance.

## Dimension



## Application



## Ordering Information

Model	Description	Recommended Power Supply
GWS-IPS3064PF	Unmanaged industrial PoE fiber switch with 4*10/100/1000M RJ45 ports and 2*1000M SFP slot ports. Port 1-4 can support IEEE802.3af/at PoE standard. Support dual DC power supply input and DIN rail mounting.	60W/120W

**Note:** Industrial PoE fiber switch does not include the optical module and power supply.

## Packing List

	CONTENT	QTY	UNIT
PACKING LIST	6-port full gigabit industrial PoE fiber switch	1	SET
	User Guide	1	PC
	Warranty Card	1	PC

## Optical Module

Product	Model	Description	Unit
1.25G Optical Module	2632-G	Industrial SFP optical module, 1.25G, single-mode dual fiber 1310nm, transmission distance: 20km, LC interface, support DDM function, support hot plug and pull.	PC
	2612-T-G	Industrial SFP optical module, 1.25G, single-mode single fiber TX1310nm/RX1550nm, transmission distance: 20km, LC interface, support DDM function, support hot plug and pull.	PC

	2613-R-G	Industrial SFP optical module, 1.25G, single-mode single fiber TX1550nm/RX1310nm, transmission distance: 20km, LC interface, support DDM function, support hot plug and pull.	PC
--	----------	---	----

## Power Supply

Product	Model	Description	Unit
65W Desktop Power Adaptor	AP65-52	Desktop 65W single set of output power adapter Input Voltage:AC 100V~240V 50-60Hz,1.1A Output Voltage:DC 52V 1.25A Operation Temperature:-20°C—+65°C	PC
110W Desktop Power Adaptor	AP110-52	Desktop 110W single set of output power adapter Input Voltage:AC 100V~240V 50-60Hz,2.0A Output Voltage:DC 52V 2.0A Operation Temperature:-20°C—+65°C	PC
60W DIN Rail Industrial Power Supply	DP60-48	Din Rail 60W single set of output power supply Input Voltage:AC 100V~240V 50-60Hz,1A Output Voltage:DC 48V 1.25A Operation Temperature:-40°C—+70°C	PC
120W DIN Rail Industrial Power Supply	DP120-48	Din Rail 120W single set of output power supply Input Voltage:AC 100V~240V 50-60Hz,1.5A Output Voltage:DC 48V 2.5A Operation Temperature:-40°C—+70°C	PC

## Contact Us



Tel: 0086-752-3397806

WeChat: HZGWS--PoE

Email: [hzwgs@hzwgs.com](mailto:hzwgs@hzwgs.com)

Skype: [hzwgs@hzwgs.com](https://www.skype.com/people/hzwgs@hzwgs.com)

Website: [www.hzwgs.com](http://www.hzwgs.com)

Address: Building 3, Phase II, Xinghe Artificial Intelligence Industrial Park, No.333 Zhongkai 6th Road, Chenjiang Street, Zhongkai High-tech Zone, Huizhou

