

## Product Datasheet

# 10-port Full Gigabit Industrial PoE Fiber Switch

(GWS-IPS3108PF)



## Overview

The GWS-IPS3108PF is a full gigabit industrial PoE fiber switch. It has 8\*10/100/1000Base-T adaptive RJ45 ports and 2\*1000Base-X uplink SFP slot ports. Port 1-8 can support IEEE802.3af/at PoE standard. Single-port PoE power up to 30W. As a PoE power supply device, it can automatically detect and recognize the power receiving equipment that meets the standard and supply power through the network cable. It can supply power to PoE terminal devices such as wireless AP, IP camera, and industrial sensors through the network cable, and meet the network environment that needs a high-density PoE power supply. It is suitable for intelligent transportation, rail transit, power industry, mining, petroleum, and sea transportation. Industrial scenes such as metallurgy and green energy, construction form a cost-effective, stable, and reliable communication network.

## Feature

### ■ Full gigabit access, SFP port uplink

- ◇ Support non-blocking wire-speed forwarding.
- ◇ Support full-duplex based on IEEE802.3x and half-duplex based on Backpressure.
- ◇ Supports Gigabit RJ45 port and gigabit SFP port combination, which enables users to flexibly build networking to meet the needs of various scenarios.

### ■ Intelligent PoE power supply

- ◇ IEEE802.3af/at PoE standard, without damaging non-PoE devices.
- ◇ 8\*10/100/1000Base-T RJ45 ports, meeting the needs of security monitoring, teleconferencing system, wireless coverage, and other scenarios.
- ◇ Priority system for PoE port, it will supply power to the high priority level port first when the power budget is insufficient and avoid overwork of the device.

### ■ Stable and reliable

- ◇ CCC, CE, FCC, RoHS.
- ◇ Low power consumption, No fan, aluminum shell.
- ◇ The user-friendly panel can show the device status through the LED indicator of PWR, Link, PoE.

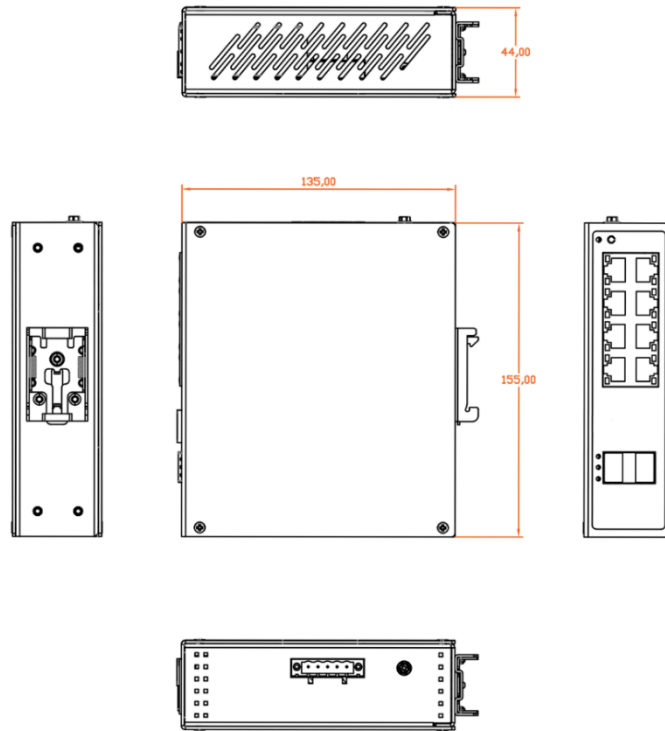
## Technical Specification

Model	GWS-IPS3108PF
<b>Interface Characteristics</b>	
Fixed Port	8*10/100/1000Base-T PoE ports (Data/Power) 2*1000Base-X uplink SFP fiber slot ports (Data) 2 sets of V+, V- redundant DC power interface (5P Phoenix terminal)
Ethernet Port	Port 1-8 support 10/100/1000Base-T(X) auto-sensing, full/half duplex

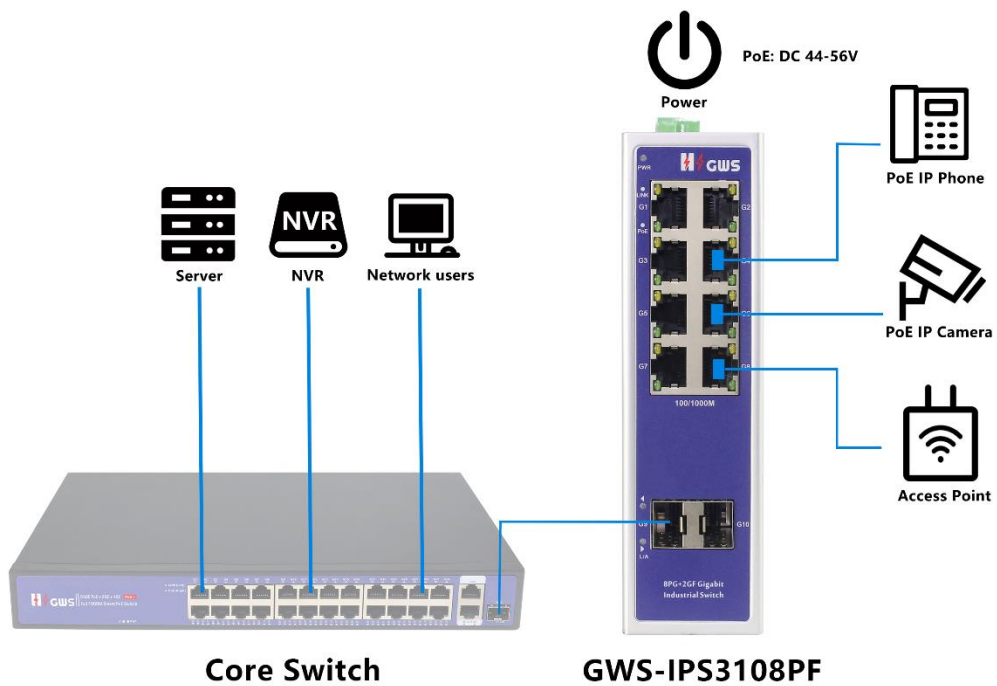
	MDI/MDI-X self-adaption
Twisted Pair Transmission	10BASE-T: Cat3,4,5 UTP( $\leq 100$ meters) 100BASE-TX: Cat5 or later UTP( $\leq 100$ meters) 1000BASE-T: Cat5e or later UTP( $\leq 100$ meters)
SFP Slot Port	Gigabit SFP optical fiber port, default no include optical modules (optional single-mode / multi-mode, single fiber / dual fiber optical module. LC)
Optical Cable/ Distance	Multi-mode: 850nm/ 0-500M, Single-mode: 1310nm/ 0-40KM, 1550nm/ 0-120KM.
<b>Chip Parameter</b>	
Network Protocol	IEEE802.3 10BASE-T, IEEE802.3i 10Base-T, IEEE802.3u 100Base-TX IEEE802.3ab 1000Base-T, IEEE802.3z 1000Base-X, IEEE802.3x
Forwarding Mode	Store and Forward(Full Wire Speed)
Switching Capacity	20Gbps
Forwarding Rate@64byte	14.88Mpps
MAC	8K
Buffer Memory	4Mb
Jumbo Frame	9.2KB
LED Indicator	Power: PWR (green);Network :Link G1-G8 (yellow); PoE : PoE G1-G8 (green);Fiber PortL/A G9-G10(green)
<b>PoE &amp; Power Supply</b>	
PoE Port	Port 1 to 8 IEEE802.3af/at
Power Supply Pin	1/2(+) 3/6(-)
Max Power Per Port	30W, IEEE802.3af/at
Power Consumption	Standby<10W, Full load af/at $\leq 240$ W
Working Voltage	DC44-56V, 5 Pin industrial Phoenix terminal, support anti-reverse protection.
Power Supply	Self-purchased, optional 48V/120W or 48V/240W industrial power supply
<b>Physical Parameter</b>	

Operation TEMP / Humidity	-40~+75°C, 5%~90% RH Non condensing
Storage TEMP / Humidity	-40~+85°C, 5%~95% RH Non condensing
Dimension (L*W*H)	155*135*44mm
Net /Gross Weight	<0.6kg / <0.8kg
Installation	Desktop, 35mm DIN rail
<b>Certification &amp; Warranty</b>	
Lightning protection	<p>Lightning protection: 6KV 8/20us, Protection level: IP30</p> <p>IEC61000-4-2(ESD): ±8kV contact discharge, ±15kV air discharge</p> <p>IEC61000-4-3(RS): 10V/m(80~1000MHz)</p> <p>IEC61000-4-4(EFT): power cable: ±4kV; data cable: ±2kV</p> <p>IEC61000-4-5(Surge): power cable: CM±4kV/DM±2kV; data cable: ±4kV</p> <p>IEC61000-4-6(radio frequency transmission): 10V(150kHz~80MHz)</p> <p>IEC61000-4-8(power frequency magnetic field): 100A/m, 1000A/m ,1s to 3s</p> <p>IEC61000-4-9(pulsed magnet field): 1000A/m</p> <p>IEC61000-4-10(damped oscillation): 30A/m 1MHz</p> <p>IEC61000-4-12/18(shockwave): CM 2.5kV,DM 1kV</p> <p>IEC61000-4-16(common-mode transmission): 30V; 300V,1s</p> <p>FCC Part 15/CISPR22(EN55022): Class B</p> <p>IEC61000-6-2(Common Industrial Standard)</p>
Mechanical Properties	<p>IEC60068-2-27 (anti shock)</p> <p>IEC60068-2-32 (free fall), IEC60068-2-6 (anti vibration)</p>
Certification	CCC, CE mark, commercial, CE/LVD EN62368-1, FCC Part 15 Class B, RoHS
Warranty	5 years, lifelong maintenance.

## Dimension



## Application



## Ordering Information

Model	Description	Recommended Power Supply
GWS-IPS3108PF	Unmanaged industrial PoE fiber switch with 8*10/100/1000M RJ45 ports and 2*1000M uplink SFP slot ports. Port 1-8 can support PoE IEEE802.3af/at. It can support DC dual redundant power input and DIN rail mounting.	120W/240W

**Note:** Industrial PoE switches do not include SFP optical modules and power supplies by default.

## Packing List

	CONTENT	QTY	UNIT
PACKING LIST	10-port full gigabit industrial PoE fiber switch	1	SET
	User Guide	1	PC
	Warranty Card	1	PC

## Optical Module

Product	Model	Description	Unit
1.25G Optical Module	2630-G	Industrial SFP optical module, 1.25G, multi-mode dual fiber 850nm, transmission distance: 550m, LC interface, support DDM function, support hot plug and pull.	PC
	2632-G	Industrial SFP optical module, 1.25G, single-mode dual fiber 1310nm, transmission distance: 20km, LC interface, support DDM function, support hot plug and pull.	PC
	2612-T-G	Industrial SFP optical module, 1.25G, single-mode single fiber TX1310nm/RX1550nm, transmission distance: 20km, LC interface, support DDM function, support hot plug and pull.	PC

	2613-R-G	Industrial SFP optical module, 1.25G, single-mode single fiber TX1550nm/RX1310nm, transmission distance: 20km, LC interface, support DDM function, support hot plug and pull.	PC
	2612-T-G-SC	Industrial SFP optical module, 1.25G, single-mode single fiber TX1310nm/RX1550nm, transmission distance: 20km, SC interface, support DDM function, support hot plug and pull.	PC
	2613-R-G-SC	Industrial SFP optical module, 1.25G, single-mode single fiber TX1550nm/RX1310nm, transmission distance: 20km, SC interface, support DDM function, support hot plug and pull.	PC
Power Module	2633	1.25G SFP optical module transfers to 10/100/1000M RJ45 port.	PC

## Power Supply

Product	Model	Description	Unit
130W Desktop Power Aadapter	AP130-52	Desktop 130W single set of output power adapter Input Voltage: AC 100V~240V 50-60Hz,2.3A Output Voltage: DC 52V 2.5A Operation Temperature: -20°C to +65°C	PC
250W Desktop Power Aadapter	AP250-52	Desktop 250W single set of output power adapter Input Voltage: AC 100V~240V 50-60Hz,4.1A Output Voltage: DC 52V 4.8A Operation Temperature: -20°C to +65°C	PC
120W DIN Rail Industrial Power Supply	DP120-48	Din Rail 120W single set of output power supply Input Voltage: AC 100V~240V 50-60Hz,1.5A Output Voltage: DC 48V 2.5A Operation Temperature: -40°C to +70°C	PC

240W DIN Rail Industrial Power Supply	DP240-48	Din Rail 240W single set of output power supply Input Voltage: AC 100V~240V 50-60Hz,3.0A Output Voltage: DC 48V 5A Operation Temperature: -40°C to +70°C	PC
---	----------	---	----

## Contact Us



Tel: 0086-752-3397806

WeChat: HZGWS--PoE

Email: [h zgws@h zgws.com](mailto:h zgws@h zgws.com)

Skype: [h zgws@h zgws.com](https://www.skype.com/people/hzgws@h zgws.com)

Website: [www.hzgws.com](http://www.hzgws.com)



Address: Building 3, Phase II, Xinghe Artificial Intelligence Industrial Park, No.333 Zhongkai 6th Road, Chenjiang Street, Zhongkai High-tech Zone, Huizhou