

## Product Datasheet

# 12-port Full Gigabit Industrial PoE Switch

(GWS-IPS3128PF)



## Overview

The GWS-IPS3128PF series is a full gigabit industrial PoE fiber switch. It has 10\*10/100/1000Base-T RJ45 ports and 2\*1000Base-X uplink SFP slot ports. Port 1-8 can support IEEE 802.3af/at PoE standard, single-port PoE power up to 30W. As a PoE power supply device, it can automatically detect and recognize the power receiving equipment that meets the standard and supply power through the network cable. It can supply power to PoE terminal device such as wireless AP, IP camera, industrial sensor through the network cable, and meet the network environment that needs high-density PoE power supply. It is suitable for intelligent transportation, rail transit, power industry, mining, petroleum, sea transportation. Industrial scenes such as metallurgy and green energy construction form a cost-effective, stable and reliable communication network.

Unmanaged mode, plug, and play, no configuration, easy to use.

## Feature

- **Gigabit Ethernet port access, uplink gigabit dual SFP port**

- ◇ Uplink gigabit dual SFP fiber ports, easy to achieve high bandwidth and long-distance transmission.
- ◇ Dual SFP fiber ports can cascade, chain, compatible with SFP module connection.

- **Intelligent PoE power supply**

- ◇ 8\*10/100/1000Base-T RJ45 ports, meeting the needs of security monitoring, teleconferencing system, wireless coverage, and other scenarios.
- ◇ IEEE 802.3af/at PoE standard, without damaging non-PoE devices.
- ◇ Priority system for PoE port, it will supply power to the high priority level port first when the power budget is insufficient and avoid overwork of the device.

- **Stable and reliable**

- ◇ Low power consumption, No fan low noise design, aluminum shell.
- ◇ CCC,CE, FCC, RoHS.
- ◇ The user-friendly panel, it can show the device status through the LED indicator of PWR,Link, L/A,PoE.

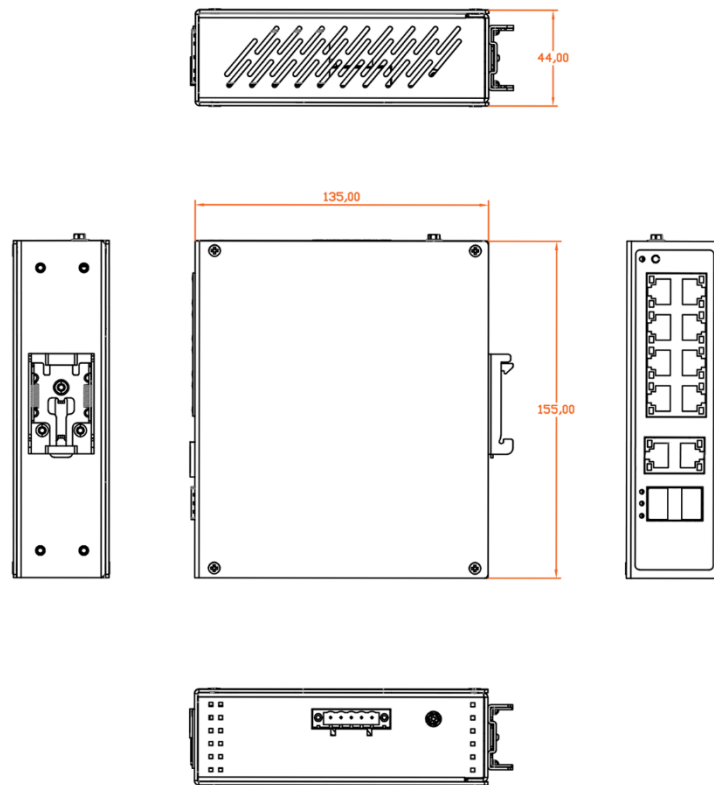
## Technical Specification

Model	GWS-IPS3128PF
<b>Interface Characteristics</b>	
Fixed Port	8*10/100/1000Base-T PoE ports (Data/Power) 2*10/100/1000Base-T uplink RJ45 ports (Data) 2*1000Base-X uplink SFP fiber slot ports (Data) 2 sets of V+, V- redundant DC power port (5P Phoenix terminal)
Ethernet Port	10/100/1000Base-T,Auto-sensing,Full/half duplex MDI/MDI-X self-adaption
Twisted Pair	10BASE-T: Cat3,4,5 UTP(≤100 meter)

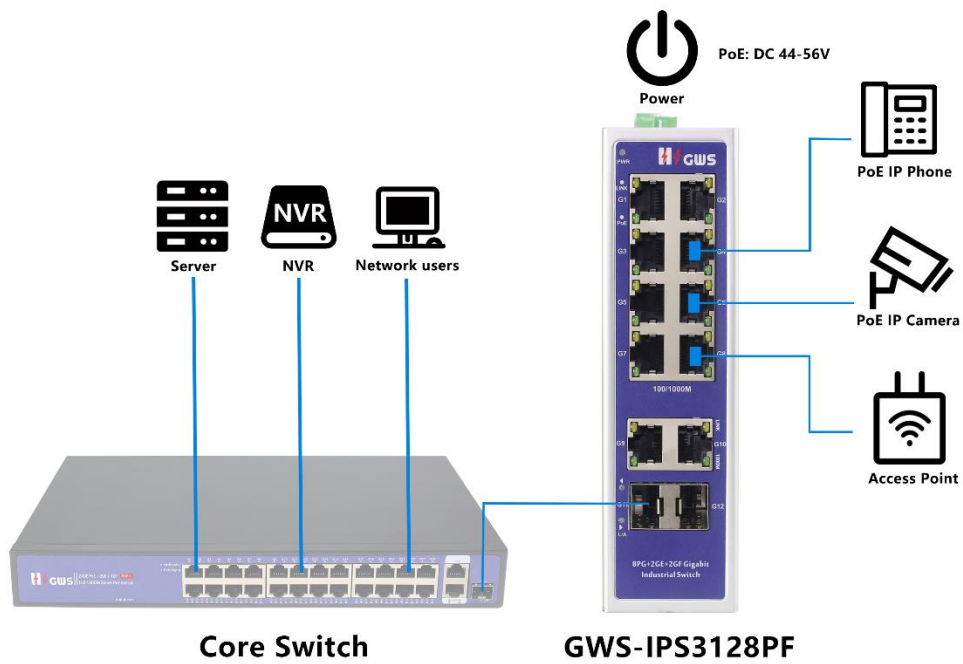
Transmission	100BASE-TX: Cat5 or later UTP( $\leq 100$ meter) 1000BASE-T: Cat5e or later UTP( $\leq 100$ meter)
Fiber Port	Gigabit SFP optical fiber port, default matching optical modules (optional order single-mode / multi-mode, single fiber / dual fiber optical module. LC)
Optical Cable	Multimode: 850nm 0 ~ 550M, singlemode: 1310nm 0 ~ 40KM, 1550nm 0 ~ 120KM.
<b>Chip Parameter</b>	
Network Protocol	IEEE802.3 10BASE-T, IEEE802.3i 10Base-T, IEEE802.3u 100Base-TX, IEEE802.3ab 1000Base-T, IEEE802.3z 1000Base-X, IEEE802.3x
Forwarding Mode	Store and Forward(Full Wire Speed)
Switching Capacity	24Gbps
Forwarding Rate@64byte	17.86Mpps
MAC	8K
Buffer Memory	4Mb
Jumbo Frames	9.2KB
LED Indicator	Power: PWR (green); Network :Link G1-G10 (yellow); PoE : PoE G1-G8 (green); Fiber PortL/A G11-G12(green)
<b>PoE &amp; Power</b>	
PoE Port	Port 1 to 8 IEEE802.3af/at @ POE
Power Supply Pin	1/2 (+), 3/6 (-)
Max Power Per Port	30W; IEEE802.3af/at
Total PWR / Input Voltage	120W-240W/48VDC
Power Consumption	Standby:<8W; Full load:af/at $\leq 240$ W

Working Voltage	44-56VDC; 5P industrial phoenix terminal, anti-reverse protection.
Power Supply	Self-purchased, optional 48V/120W or 48V/240W industrial power supply
<b>Physical Parameter</b>	
Operation TEMP / Humidity	-40~+75°C;5%~90% RH Non condensing
Storage TEMP / Humidity	-40~+85°C;5%~95% RH Non condensing
Dimension	155*135*44mm
Net /Gross Weight	<0.6kg / <0.8kg
Installation	Desktop, 35mm DIN rail
<b>Certification &amp; Warranty</b>	
Lightning Protection / Protection Level	<p>Lightning protection: 6KV 8/20us;Protection level: IP30</p> <p>IEC61000-4-2(ESD):±8kV contact discharge,±15kV air discharge</p> <p>IEC61000-4-3(RS):10V/m(80~1000MHz)</p> <p>IEC61000-4-4(EFT): power cable:±4kV; data cable:±2kV</p> <p>IEC61000-4-5(Surge):power cable:CM±4kV/DM±2kV; data cable:±4kV</p> <p>IEC61000-4-6(radio frequency transmission):10V(150kHz~80MHz)</p> <p>IEC61000-4-8(power frequency magnetic field):100A/m;1000A/m ,1s to 3s</p> <p>IEC61000-4-9(pulsed magnet field):1000A/m</p> <p>IEC61000-4-10(damped oscillation):30A/m 1MHz</p> <p>IEC61000-4-12/18(shockwave):CM 2.5kV,DM 1kV</p> <p>IEC61000-4-16(common-mode transmission):30V; 300V,1s</p> <p>FCC Part 15/CISPR22(EN55022):Class A</p> <p>IEC61000-6-2(Common Industrial Standard)</p>
Mechanical Properties	IEC60068-2-6 (anti vibration),IEC60068-2-27 (anti shock),IEC60068-2-32 (free fall)
Certification	CCC;CE mark, commercial; CE/LVD EN62368-1;FCC Part 15 Class B;RoHS;
Warranty	5 years , lifelong maintenance.

## Dimension



## Application



## Ordering Information

Model	Description	Recommended power supply
GWS-IPS3128PF	Unmanaged industrial PoE fiber switch with 10*10/100/1000M RJ45 ports and 2*1000M uplink SFP slot ports, Port 1-8 can support IEEE802.3af/at PoE. Support DC dual power supply input and DIN rail mounting.	120W/240W

**Note:** Industrial PoE switch does not match the SFP optical module and power supply.

## Packing List

	CONTENT	QTY	UNIT
PACKING LIST	12-port full gigabit industrial PoE fiber switch	1	SET
	User Guide	1	PC
	Warranty Card	1	PC

## Optical Module Information

Product	Model	Description	Unit
1.25G Optical Module	2630-G	Industrial SFP optical module, 1.25G, multi-mode dual fiber 850nm, transmission distance: 550m, LC interface, support DDM function, support hot plug and pull.	PC
	2632-G	Industrial SFP optical module, 1.25G, single-mode dual fiber 1310nm, transmission distance: 20km, LC interface, support	PC

		DDM function, support hot plug and pull.	
	2612-T-G	Industrial SFP optical module, 1.25G, single-mode single fiber TX1310nm/RX1550nm, transmission distance: 20km, LC interface, support DDM function, support hot plug and pull.	PC
	2613-R-G	Industrial SFP optical module, 1.25G, single-mode single fiber TX1550nm/RX1310nm, transmission distance: 20km, LC interface, support DDM function, support hot plug and pull.	PC
	2612-T-G-SC	Industrial SFP optical module, 1.25G, single-mode single fiber TX1310nm/RX1550nm, transmission distance: 20km, SC interface, support DDM function, support hot plug and pull.	PC
	2613-R-G-SC	Industrial SFP optical module, 1.25G, single-mode single fiber TX1550nm/RX1310nm, transmission distance: 20km, SC interface, support DDM function, support hot plug and pull.	PC
Power Module	2633	1.25G SFP optical module transfers to 10/100/1000M RJ45 port.	PC

## Power Supply

Product	Model	Description	Unit
130W Desktop Power Adaptor	AP130-52	Desktop tape 130W single set of output power adapter; Input Voltage:AC 100V~240V 50-60Hz,2.3A Output Voltage:DC 52V 2.5A Operation Temperature:-20°C—+65°C	PC
250W Desktop Power Adaptor	AP250-52	Desktop tape 250W single set of output power adapter;	PC

		Input Voltage:AC 100V~240V 50-60Hz,4.1A Output Voltage:DC 52V 4.8A Operation Temperature:-20°C—+65°C	
120W DIN Rail Industrial Power Supply	DP120-48	Din Rail type 120W single set of output power supply; Input Voltage:AC 100V~240V 50-60Hz,1.5A Output Voltage:DC 48V 2.5A Operation Temperature:-40°C—+70°C	PC
240W DIN Rail Industrial Power Supply	DP240-48	Din Rail type 240W single set of output power supply; Input Voltage:AC 100V~240V 50-60Hz,3A Output Voltage:DC 48V 5A Operation Temperature:-40°C—+70°C	PC

## Contact Us



Tel: 0086-752-3397806

WeChat: HZGWS--PoE

Email: [h zgws@h zgws.com](mailto:h zgws@h zgws.com)

Skype: [h zgws@h zgws.com](https://www.skype.com/people/hzgws@h zgws.com)

Website: [www.hzgws.com](http://www.hzgws.com)



Address: Building 3, Phase II, Xinghe Artificial Intelligence Industrial Park, No.333 Zhongkai 6th Road, Chenjiang Street, Zhongkai High-tech Zone, Huizhou