

Product Datasheet

10-port 10/100Mbps PoE Switch

(GWS-1108PLS)



Overview

The GWS-1108PLS is a 10/100Mbps unmanaged PoE switch. It has 8*10/100M PoE ports and 2*10/100M RJ45 ports. Port 1-8 can support IEEE802.3af/at PoE standard. Single port PoE power up to 30W. As a PoE power supply device, it can automatically detect and recognize the power receiving equipment that meets the standard and supply power through the network cable. It can supply power to POE terminal equipment such as wireless AP, webcam, VoIP phone, video access control intercom, etc. through a network cable to meet the network environment that needs a high-density PoE power supply. It is suitable for hotels, campuses, factory quarters, and small and medium-sized enterprises to form an economy-efficient network.

Unmanaged mode, plug and play, no configuration, easy to use.

Feature

■ 10/100Mbps access, Dual RJ45 port uplink

- ◇ Support non-blocking wire-speed forwarding for smoother transmission.
- ◇ Support IEEE 802.3x full-duplex flow control and Backpressure half-duplex flow control.
- ◇ Provides 8*10/100Base-TX RJ45 ports for flexible networking and meets the networking requirements of various scenarios.

■ Intelligent PoE power supply

- ◇ IEEE802.3af/at PoE standard, without damaging non-PoE devices.
- ◇ 8*10/100Base-TX RJ45 ports, meeting the needs of security monitoring, teleconferencing system, wireless coverage, and other scenarios.
- ◇ Priority system for PoE port, it will supply power to the high priority level port first when the power budget is insufficient and avoid overwork of the device.

■ Innovative function

- ◇ **EXTEND mode (250m):** The speed of ports 1-8 is reduced to 10M when it is turned on, and the existing twisted-pair cable can be used to break through the limit of 100-meter transmission of twisted-pair cable, and the maximum transmission distance can reach 250 meters. On the other hand, It can solve the problem of poor transmission caused by line aging.
- ◇ **VLAN mode:** enabled together with the EXTEND mode, port 1-8 are isolated from each other but all communicate with port 9-10, which can prevent DHCP conflicts, optimize port cache utilization, and reduce broadcast storms.

(**Note:** When the function switch is toggled to 250m mode, the port 1-8 extend transmission and port VLAN isolation function are enabled at the same time.)

■ Stable and reliable, easy to use

- ◇ CCC, CE, FCC, RoHS.
- ◇ Plug and play, no configuration, simple and convenient.

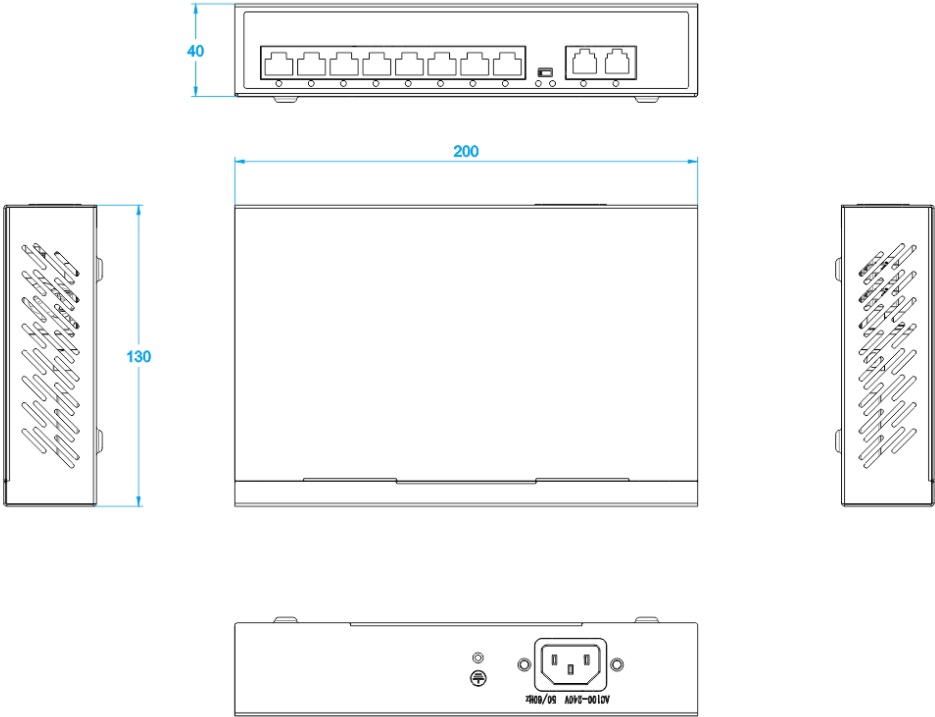
- ◇ Low power consumption, galvanized steel casing, no fan.
- ◇ The user-friendly panel can show the device status through the LED indicator of PWR, PoE.

Technical Specification

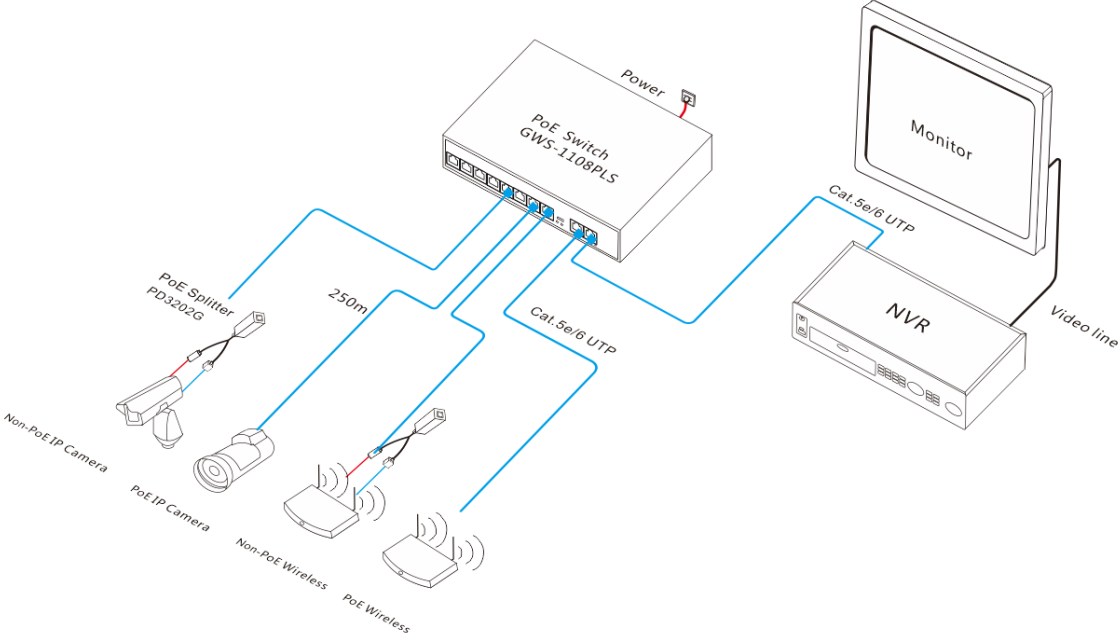
Model	GWS-1064PLS	GWS-1108PLS
Interface Characteristics		
Fixed Port	4*10/100Base-TX PoE ports (Data/Power) 2*10/100Base-TX uplink RJ45 ports (Data)	8*10/100Base-TX PoE ports (Data/Power) 2*10/100Base-TX uplink RJ45 ports (Data)
Ethernet Port	Port 1-6/1-10 can support 10/100Base-TX auto-detection, full/half-duplex MDI/MDI-X auto-sensing	
Functional Switch	1*(100m : Default 100 meters transmission, 250m : Extend and VLAN transmission mode) Note :when the switch state changes, it must be restarted before the PoE switch function can take effect	
Twisted Pair Transmission	10BASE-TX: Cat5 or later UTP(≤250 meter) 100BASE-TX: Cat5 or later UTP(≤100 meter)	
Chip Parameter		
Network Management Type	Unmanaged	
Network Protocol	IEEE802.3 10BASE-T, IEEE802.3i 10Base-T, IEEE802.3u 100Base-TX, IEEE802.3x	
Forwarding Mode	Store and Forward(Full Wire Speed)	
Switching Capacity	1.6Gbps (Non-blocking)	2Gbps (Non-blocking)
Forwarding Rate@64byte	0.98Mpps	1.488Mpps
MAC	1K	2K

Buffer Memory	768K	1.25M
Jumbo Frame	1536byte	
LED Indicator	Power:PWR (Green), Network: Link(Yellow), PoE: PoE (Green) Functional switch: EXTEND (Green)	
PoE & Power Supply		
PoE Port	Port 1-4	Port 1-8
Power Supply Pin	Default 1/2(+) 3/6(-)	
Max Power Per Port	30W, IEEE802.3af/at	
Total PWR / Input Voltage	65W/ (AC100-240V)	120W/ (AC100-240V)
Power Consumption	Standby<3W, Full load <65W	Standby <5W, Full load <100W
Power Supply	Built-in power supply, AC100~240V 50-60Hz 1.0A	Built-in power supply, AC100~240V 50-60Hz 2.0A
Physical Parameter		
Heat Dissipation	No Fan natural cooling	
Operation TEMP/ Humidity	-20~+55°C, 5%~90% RH Non condensing	
Storage TEMP/ Humidity	-40~+80°C, 5%~95% RH Non condensing	
Dimension (L*W*H)	200*130*40mm	200*130*40mm
Net /Gross Weight	<0.6kg / <1.0kg	<0.8kg / <1.2kg
Installation	Desktop, Wall-mounted	
Certification & Warranty		
Lightning Protection	Lightning protection: 4KV 8/20us, Protection level: IP30	
Certification	CCC, CE mark, commercial, CE/LVD EN62368-1, FCC Part 15 Class B, RoHS	
Warranty	1 year, lifelong maintenance.	

Dimension



Application



Ordering Information

Model	Description	Built-in Power Supply
GWS-1064PLS	Unmanaged PoE Switch with 4*10/100M RJ45 ports and 2*10/100M uplink RJ45 ports. Port 1-4 support IEEE802.3af/at PoE standard. Adjust the functional switch, can realize port 1-4 VLAN isolation and 10M/250 meters extend transmission. Built-in power supply.	65W/52V
GWS-1108PLS	Unmanaged PoE Switch with 8*10/100M RJ45 ports and 2*10/100M uplink RJ45 ports. Port 1-8 support IEEE802.3af/at PoE standard. Adjust the functional switch, can realize port 1-8 VLAN isolation and 10M/250 meters extend transmission. Built-in power supply.	120W/52V

Note: Default wall-mounted installation does not include mounting ears. If need to configure it, need to purchase it separately.

Packing List

	Content	Qty	Unit
Packing List	10-port 10/100Mbps PoE switch	1	SET
	AC Power Cable	1	PC
	User Guide	1	PC
	Warranty Card	1	PC

Contact Us



Tel: 0086-755-33376606

Fax: 0086-755-33376608

WeChat: HZGWS-PoE

Email: [hgzws@hgzws.com](mailto:hzgws@hgzws.com)

Skype: [hgzws@hgzws.com](https://www.skype.com/people/hzgws@hgzws.com)

Website: www.hzgws.com

Address: Building 3, Phase II, Xinghe Artificial Intelligence Industrial Park, No.333 Zhongkai 6th Road, Chenjiang Street, Zhongkai High-tech Zone, Huizhou

